

Accuride®

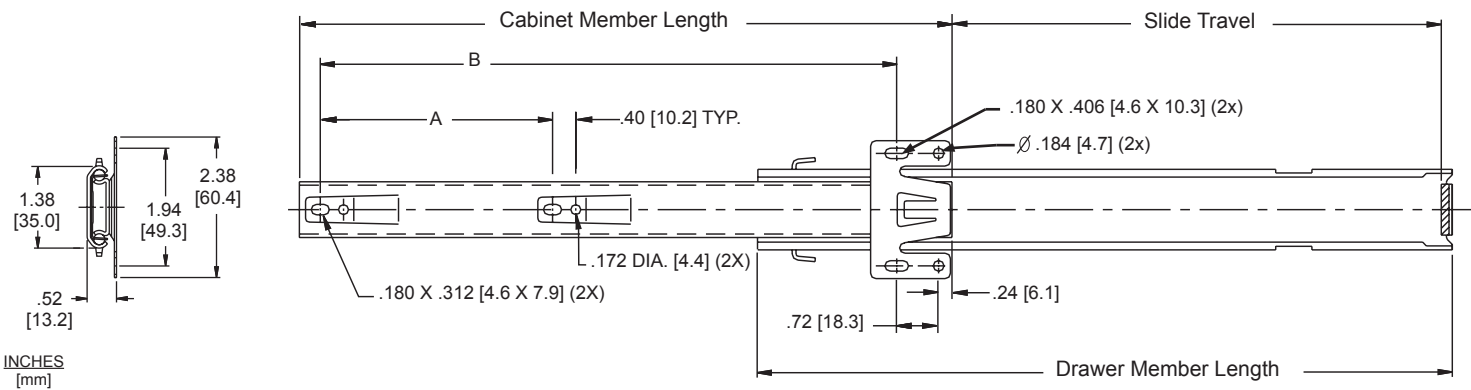
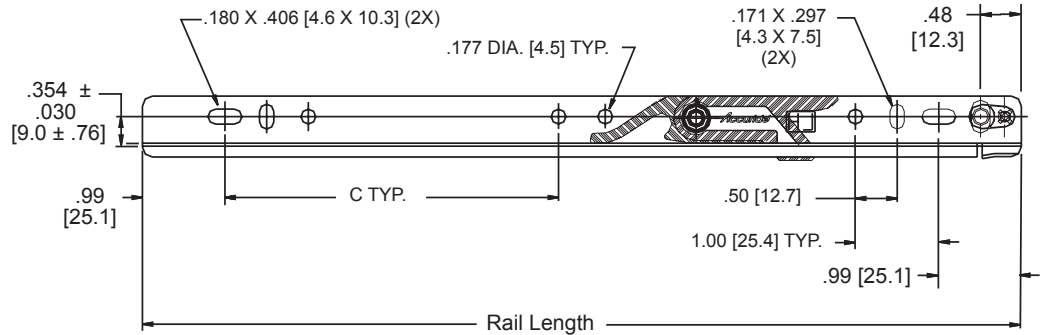
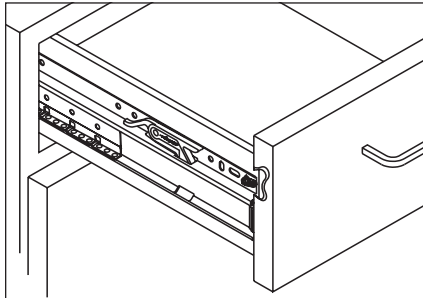
MODEL 2037-A DRAWER ADJUST

Box Drawer Slide
50 lb. [23 kg.] Capacity*
Vertical Cam Adjustment

APPLICATIONS: Suitable for box drawers in residential or institutional furniture such as desks or credenzas where a 3/4 extension slide is required. **This product is covered by U.S. and various foreign patents issued and/or pending.**

2037-A QUICK REFERENCE

Side Space: (1/2" + 1/32") x 2
Length: 12"–28"
Overall Slide Dimensions: .52" x 2-1/2"
Minimum Drawer Height: 2.5"
Load Rating: 50 lbs.*



INCHES
[mm]

- Finish** Clear electro-zinc (C) or black zinc (CB)**
- Length** 12"–28" [302 mm–705 mm]
- Height** 2-1/2" [63.5 mm] (including rail)
- Travel** 3/4 length of slide
- Side Space** 1/2" + 1/32" / - .00 [12.7 mm +0.8 mm / -0.0]
- Mounting** Handed rail with cam adjustment
- Hardware** #8 pan head screws
- Load Rating** 50 lb. [23 kg.] capacity*
- Movement** Polymer ball bearings
- Disconnect** Rail
- Also** Positive stop, unhandled, silenced in and out stops.

Slide Part Number	Drawer Member Length	Slide Travel	Cabinet Member Length	A	B	Rail Length	C
2037-A12	11.88 [301.8]	8.00 [203.2]	10.00 [254.0]		8.68 [220.5]	10.54 [267.7]	4.00 [101.6]
2037-A14	13.88 [352.6]	10.00 [254.0]	12.00 [304.8]		10.68 [271.3]	10.54 [267.7]	4.00 [101.6]
2037-A16	15.88 [403.4]	12.00 [304.8]	12.00 [304.8]		10.68 [271.3]	13.06 [331.7]	4.00 [101.6]
2037-A18	17.88 [454.2]	14.00 [355.6]	12.00 [304.8]		10.68 [271.3]	13.06 [331.7]	4.00 [101.6]
2037-A20	19.88 [505.0]	16.00 [406.4]	16.00 [406.4]	7.00 [177.8]	14.68 [372.9]	16.84 [427.7]	4.00 [101.6]
2037-A22	21.88 [555.8]	18.00 [457.2]	16.00 [406.4]	7.00 [177.8]	14.68 [372.9]	20.62 [523.8]	7.00 [177.8]
2037-A24	23.88 [606.6]	19.00 [482.6]	16.00 [406.4]	7.00 [177.8]	14.68 [372.9]	20.62 [523.8]	7.00 [177.8]
2037-A26	25.88 [657.4]	20.00 [508.0]	18.00 [457.2]	7.00 [177.8]	16.68 [423.7]	24.40 [619.8]	7.00 [177.8]
2037-A28	27.75 [704.9]	21.00 [533.4]	18.00 [457.2]	7.00 [177.8]	16.68 [423.7]	24.40 [619.8]	7.00 [177.8]

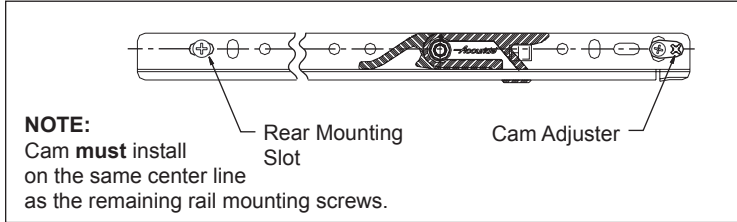
* Load rating based on an 18" slide on a 12" wide drawer cycled 50,000 times.

** Clear finish is RoHS compliant

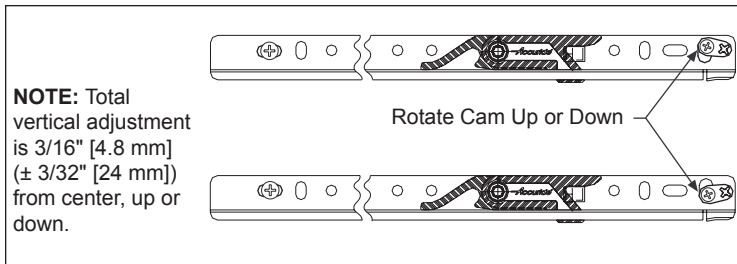
Installation Instructions

1. Install cabinet (small) members into cabinet and secure with #8 screws through the front mounting bracket and rear mounting tab. Be sure slides are parallel.
2. Install drawer mounting rail to drawer using #8 screws through the cam adjuster and through a hole or slot at the rear. See Figure 1.

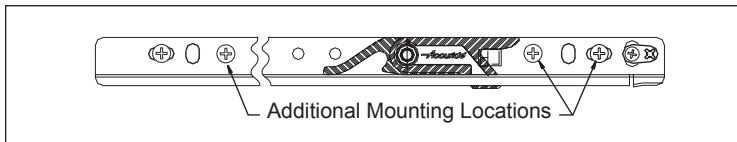
NOTE: The cam screw must install on the same center line as the remaining rail mounting screws. This eliminates any additional measuring and marking, and maximizes adjustment range.



3. Connect drawer to extended slide members by lowering the drawer onto the slides so the rail rests on top of the slide members approximately 1" from the front. Pull both slides forward until the rail latch locks securely into each slide.
4. Open the drawer and rotate the cam with a Phillips or Pozi screwdriver to vertically position the drawer front in relation to the cabinet.



5. **IMPORTANT:** After all adjustments are made, secure rail with additional mounting screws.



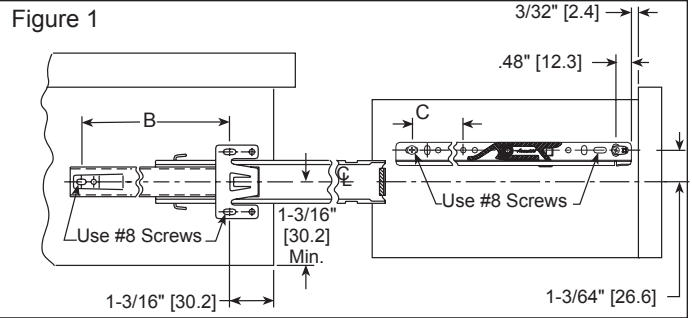
Rail Information

Rails are ordered based on the slide length. Refer to the chart below for corresponding rail part numbers. For example, an 18" slide will use rail part numbers 7156-1518-CL and 7156-1518-CR.

2037A Handed Rails			
Rail Part Numbers	Fits Slide Length	Rail Length	C
7156-1214-XL & 7156-1214-XR	12"-14"	10.54 [267.7]	4.00 [101.6]
7156-1518-XL & 7156-1518-XR	15"-18"	13.06 [331.7]	4.00 [101.6]
7156-1921-XL & 7156-1921-XR	19"-21"	16.84 [427.7]	4.00 [101.6]
7156-2225-XL & 7156-2225-XR	22"-25"	20.62 [523.8]	7.00 [177.8]
7156-2628-XL & 7156-2628-XR	26"-28"	24.40 [619.8]	7.00 [177.8]

X = C for zinc finish; or B for black finish

For the most current technical information visit www.accuride.com.



Ordering Procedure

Complete your order for Accuride Model 2037-A by specifying the following.

Total Slides Required 10 Pair C 2037 -A16 D
 Slide Finish
 Slide Model
 Slide Length
 Optional Polybag Packaging (Includes rails)

Complete your order to order rails by specifying the following:

Total Rails Required 10 each 7156-1518 -CL (Left hand)
 Handed Rail Part Number 10 each 7156-1518 -CR (Right hand)
 Rail Finish/Rail Hand

(For zinc finish specify C. For black finish specify B.)
(For left hand rail specify L. For right hand rail specify R.)

Packaging

Distributor (D) Pack: Polybag packaging includes one pair of slides, rails, and mounting screws.

Slide lengths 12"-22" are packaged 10 pair per box.

Slide lengths 24"-28" are packaged 5 pair per box.

Bulk (P) Pack: Slides, rails, and screws are ordered and packed separate.

Slide lengths 12"-22" are packaged 25 pair per box.

Slide lengths 24"-28" are packaged 15 pair per box.

X-Pack (X): Slides, rails, and mounting screws are packaged in one box.

Slide lengths 12"-22" are packaged 10 pair per box.

Slide lengths 24"-28" are packaged 5 pair per box.

Specifications

Slide members: Cold rolled steel

Ball retainers: Cold rolled steel

Ball bearings: Polymer

Clear finish is RoHS compliant.

Note: Specifications, materials, prices, terms, and delivery are subject to change without notice.

Accuride

ACCURIDE INTERNATIONAL INC.

12311 Shoemaker Avenue
Santa Fe Springs, CA 90670

TEL (562) 903-0200
FAX (562) 903-0208

www.accuride.com

Manufacturing, Engineering, and Sales

United States • Germany • Japan • Mexico • United Kingdom • China

Copyright © 2007 Accuride International Inc. 3700-9013(1030)-MK015-R7-0309