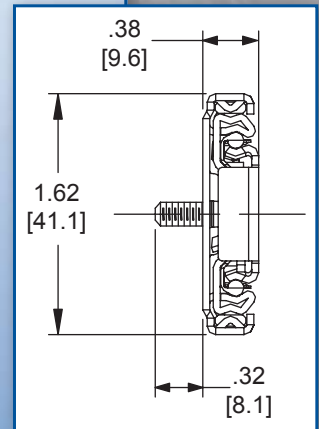


2907WB

The most versatile slide solution
for 1U to 4U chassis

- Low profile
- Over travel
- Narrow side space
- 120 lb. [54.4 kg] load rating



2907WB



Reversible brackets fit all pitch patterns and provide more options for chassis positioning



2907WB

We've made our hardware adaptable to fit an array of configurations.

Designed to offer a single-point solution for the electronic enclosures white box market, Model 2907WB features reversible brackets and a hole pattern that provides maximum versatility in 1U to 4U installations.

Features and Benefits

- **Narrow width** .38" [9.6 mm] allows for wider chassis
- **Low profile height** 1.62" [41.1 mm]
- **Full extension** + 2.0" [50.8 mm] over travel
- **Lock-out feature** holds chassis stable when extended
- **Disconnect latch** eases chassis removal and reinsertion
- Tested to **10,000 cycles** per pair

More flexibility

- Accommodates 1U to 4U chassis with a **load capacity of 120 lbs.**
- **Front and rear brackets** feature fixed and adjustable hole locations for compatibility with both 5/8" and 1/2" pitch patterns and dual 5/8" patterns
- **Adaptable brackets and fasteners** for square, round or tapped holes on cabinet rails
- **Adjustable brackets** fit a full range of cabinet depths and chassis setback positions
- **Slide-to-chassis hole patterns** are compatible with a wide range of chassis mounting configurations and permit screw or pin mounting
- **Ball bearing construction** provides smooth and silent movement

Availability/Packaging

- Even lengths 22", 24", and 26"
- Clear zinc finish

Accuride

12311 Shoemaker Avenue
Santa Fe Springs, CA 90670
(562) 903-0200
(562) 903-0208 Fax
www.accuride.com

©2009 Accuride International Inc.
2070H-New-1009-XXM-Alpha

Authorized Distributor

