

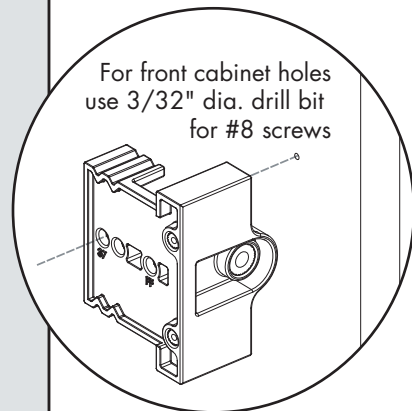
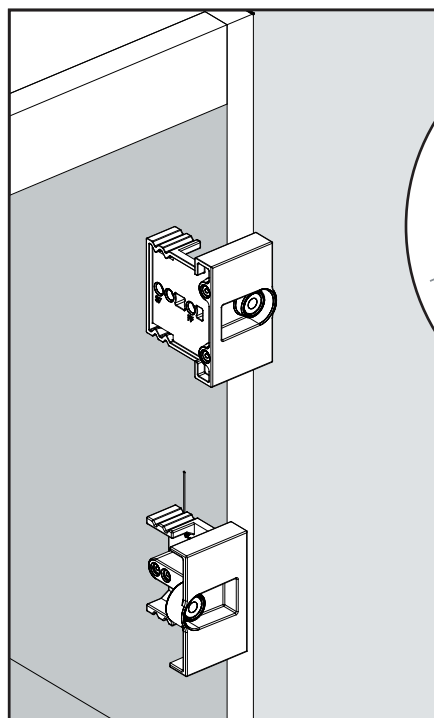
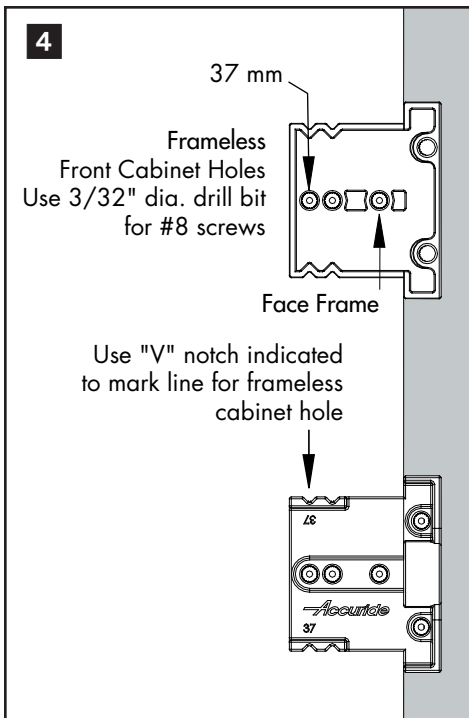
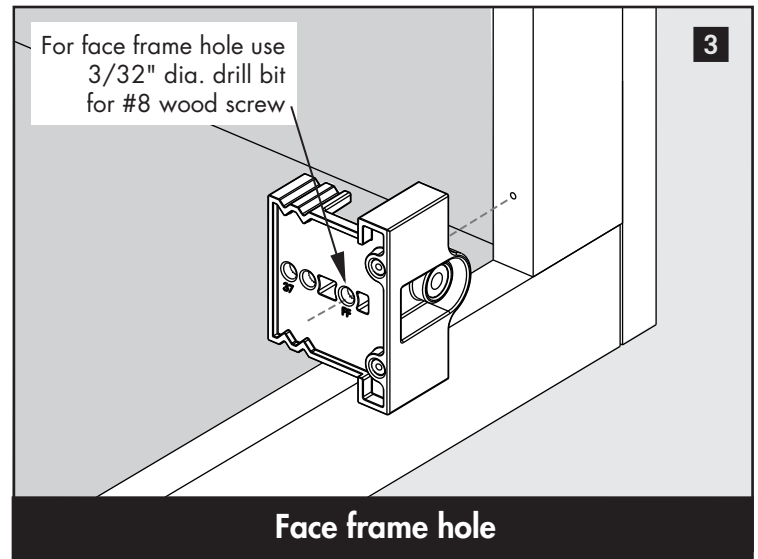
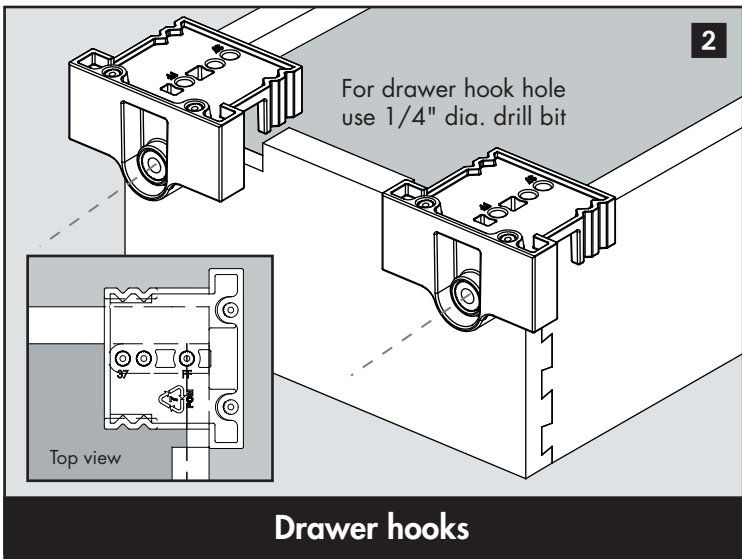
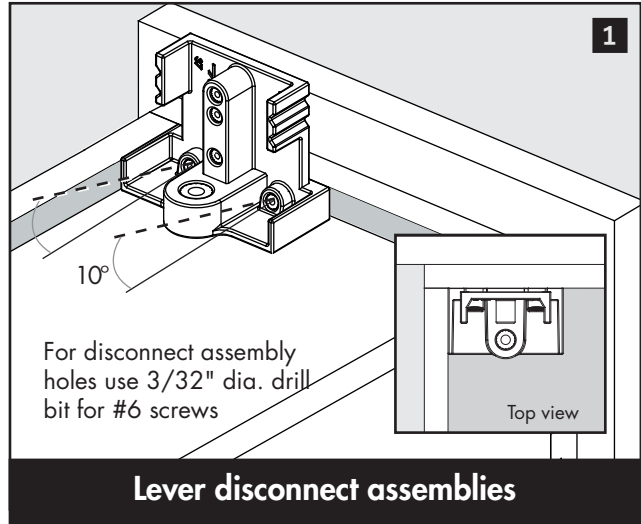
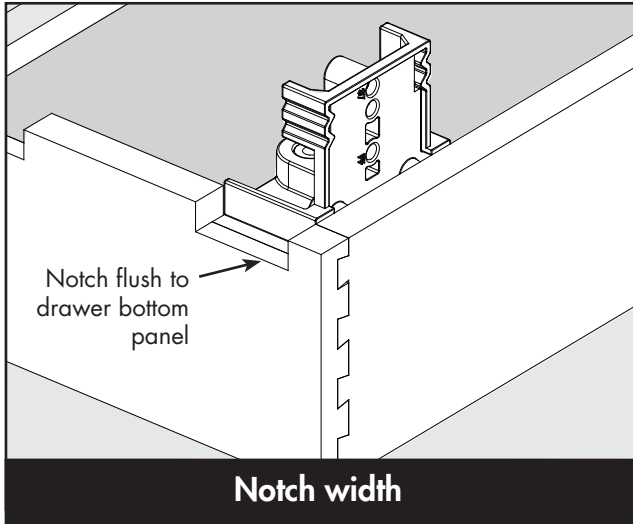
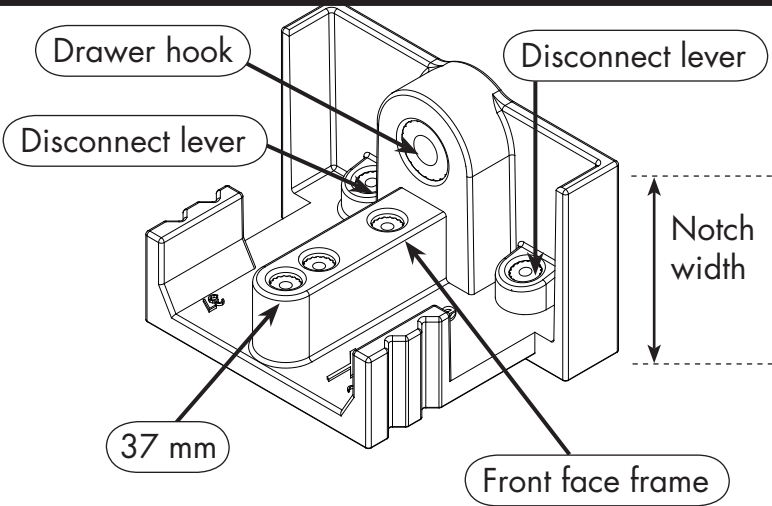
ECLIPSE

MODELS 3132EC/3132SC
JIG GUIDE

Drill locations for:

- 1 Lever disconnect assemblies
- 2 Drawer hooks
- 3 Front face frame hole
- 4 Front side mount (37 mm)

Accuride recommends the use of the drill bit in the optional Accuride tool kit (PN 4180-0603-XE) to control drill depth when drilling.



Frameless - Front cabinet holes

Accuride

www accuride.com

General information:
562-903-0200
Tech Support:
562-903-0389