

3832 Slide Series

This family of products offers a host of options suitable for commercial and residential applications.



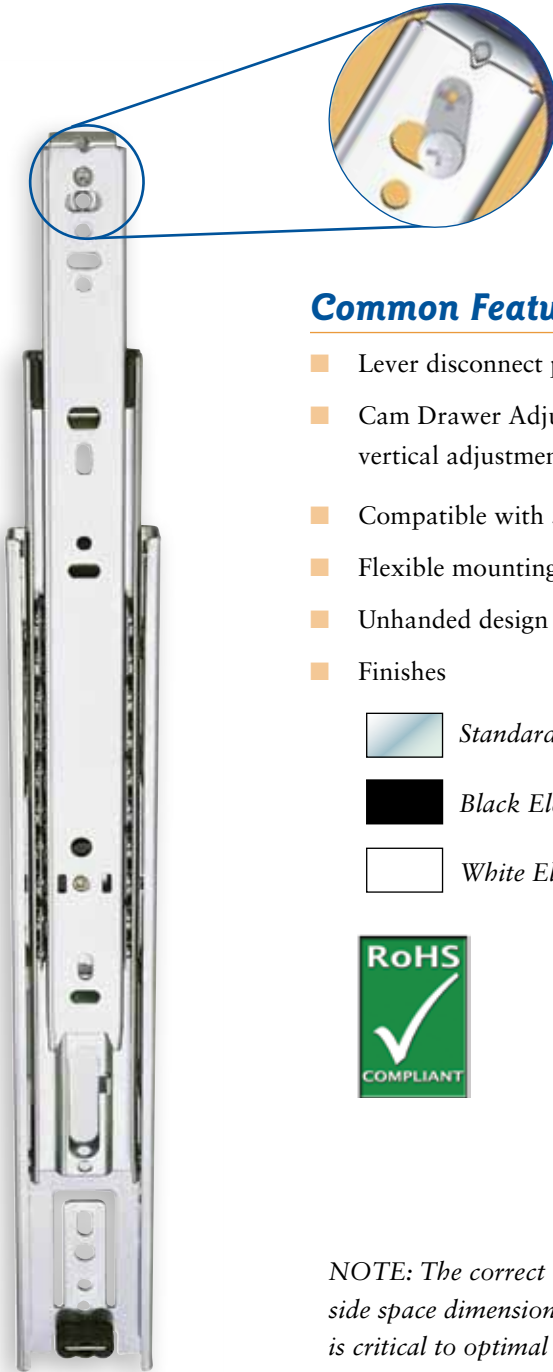
Classic
Easy-Close
Self-Closing
Touch Release
Weather Resistant
and more!



Accuride
Always Moving Forward


3832 Slide Series


Ideal for medium-duty drawers, these products offer maximum versatility with a full complement of options. All products feature our signature Cam Drawer Adjust mechanism.



Common Features & Benefits

- Lever disconnect provides effortless drawer removal.
- Cam Drawer Adjust offers a total range of 1/8" precise vertical adjustment to set drawer reveals.
- Compatible with 32 mm and traditional hole patterns.
- Flexible mounting tabs allow for variation in side space.
- Unhanded design simplifies installation.
- Finishes

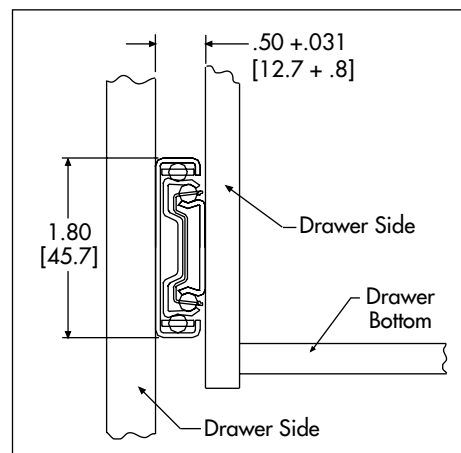
 Standard Clear Zinc

 Black Electroplate

 White Electrocoat



NOTE: The correct side space dimension is critical to optimal performance. Be sure the drawer box is 1-1/16" smaller than the cabinet drawer opening.





Left to Right: 3832 - 3832SC - 3832HDSC - 3832TR - 3832EC



Available Options

3832-Classic

- 100-pound load rating
- Full extension
- Hold-in detent prevents drawer roll-out and bounce-back
- Even lengths 6"-28"

3832EC-Easy-Close*

- 100-pound load rating
- Full extension
- Brings drawers to a gentle close
- Even lengths 14"-28"

3832TR-Touch Release

3832HDTR-Heavy-Duty Touch Release

- 100-pound load rating
- Full extension
- Holds drawers or pull-out shelves in a closed position until activated by touch
- Even lengths 12"-28"

3832SC-Self-Closing*

- 100-pound load rating
- Full extension
- Closes drawers and keeps them closed
- Even lengths 12"-28"

3832HDSC-Heavy-Duty Self-Closing*

- 100-pound load rating
- Full extension
- Heavier spring for stronger self-closing action
- Even lengths 12"-28"

3834-Over Travel

- 90-pound load rating
- 1" over travel
- Hold-in detent prevents drawer roll-out and bounce-back
- Even lengths 12"-28"

3834SC-Self-Closing*

- 100-pound load rating
- 1" over travel
- Closes drawers and keeps them closed
- Even lengths 14"-28"

3832DO-Detent Out

- 100-pound load rating
- Full extension
- Special detent out to hold drawers or pull-out shelves in an open position
- Even lengths 10"-28"

CH3832-Weather Resistant

- 100-pound load rating
- Full extension
- Special coating offers 8 times more protection than standard zinc finish
- Stainless steel ball retainer, ball bearings, and rivets
- Even lengths 10"-28"

3864-Mounting Tabs

- 90-pound load rating
- 1" over travel
- Mounting tabs provide quick installation of drawer boxes, trays, or shelves.
- Even lengths 12"-28"

* Self-Closing and Easy-Close products require a stronger pull force to open drawers.

3832 Slide Series

Accessories

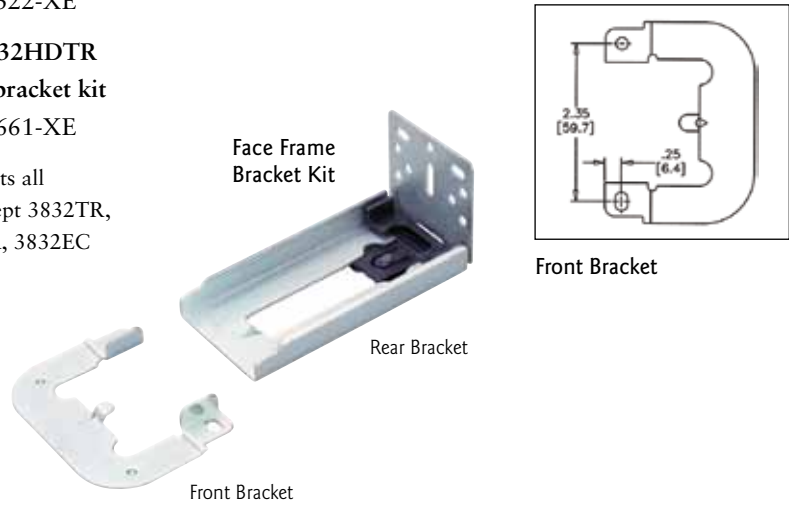
- Pilaster kit
P/N 4180-0266-XE
 - Face frame bracket kit*
P/N 4180-0322-XE
 - 3832TR/3832HDTR
Face frame bracket kit
P/N 4180-0661-XE
 - 3832EC
Face Frame bracket kit
P/N 4180-0705-XE
- * This kit is fits all models except 3832TR, 3832HDTR, 3832EC



3832 Detent Out on a pull-out shelf



3832 Classic in 6" length



Features at a glance

| Model | Full Extension | Over Travel | Self-Closing | Heavy Duty | Weather Resistant | Touch Release | Easy Close | Detent Out | Mounting Tabs |
|-----------------|----------------|-------------|--------------|------------|-------------------|---------------|------------|------------|---------------|
| 3832 | • | | | | | | | | |
| 3832EC | • | | | | | | • | | |
| 3832TR | • | | | | | • | | | |
| 3832HDTR | • | | | • | | • | | | |
| 3832SC | • | | • | | | | | | |
| 3832HDSC | • | | • | • | | | | | |
| 3834 | | • | | | | | | | |
| 3834SC | | • | • | | | | | | |
| 3832DO | • | | | | | | | • | |
| CH3832 | • | | | | • | | | | |
| 3864 | | • | | | | | | | • |

Authorized Distributor

Accuride

12311 Shoemaker Avenue
Santa Fe Springs, CA 90670
(562) 903-0200 • (562) 903-0208 Fax
www accuride.com