

Heavy-Duty Lock-In/Lock-Out Slide

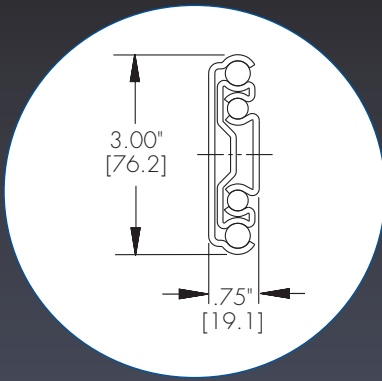
- 300 lb. [136 kg.] load rating
- Full extension
- Locks in open and closed position
- Front lever release



Accuride®

9308

Accuride's heavy-duty 9308 is the latest solution designed for a wide range of maintenance and vehicular applications. The lock-out function keeps drawers safely open for access, while the lock-in feature keeps drawers securely closed for transit.



Suggested Applications

- Emergency vehicle equipment drawers
- Storage trays or racks
- Utility vehicle drawers
- Battery tray pull outs
- Storage compartments

Features and Benefits

- Up to a 300-pound [136 kg] load rating, heavy-duty enough for service or maintenance vehicle applications.
- Factory installed locking mechanism eliminates the need to install separate locking devices.
- Front trigger release is easy to access, controlling both lock-in and lock-out functions.

Availability

- Optional bracket kit provides six additional platform-mounting configurations. See the 9301 accessory platform bracket data sheet for further information.
- Clear zinc finish
- Even length increments 12–32 inches [305–813 mm]

Accuride

Headquarters and Main Plant
12311 Shoemaker Avenue
Santa Fe Springs, CA 90670
(562) 903-0200
(562) 903-0208 Fax
www.accuride.com

Authorized Distributor