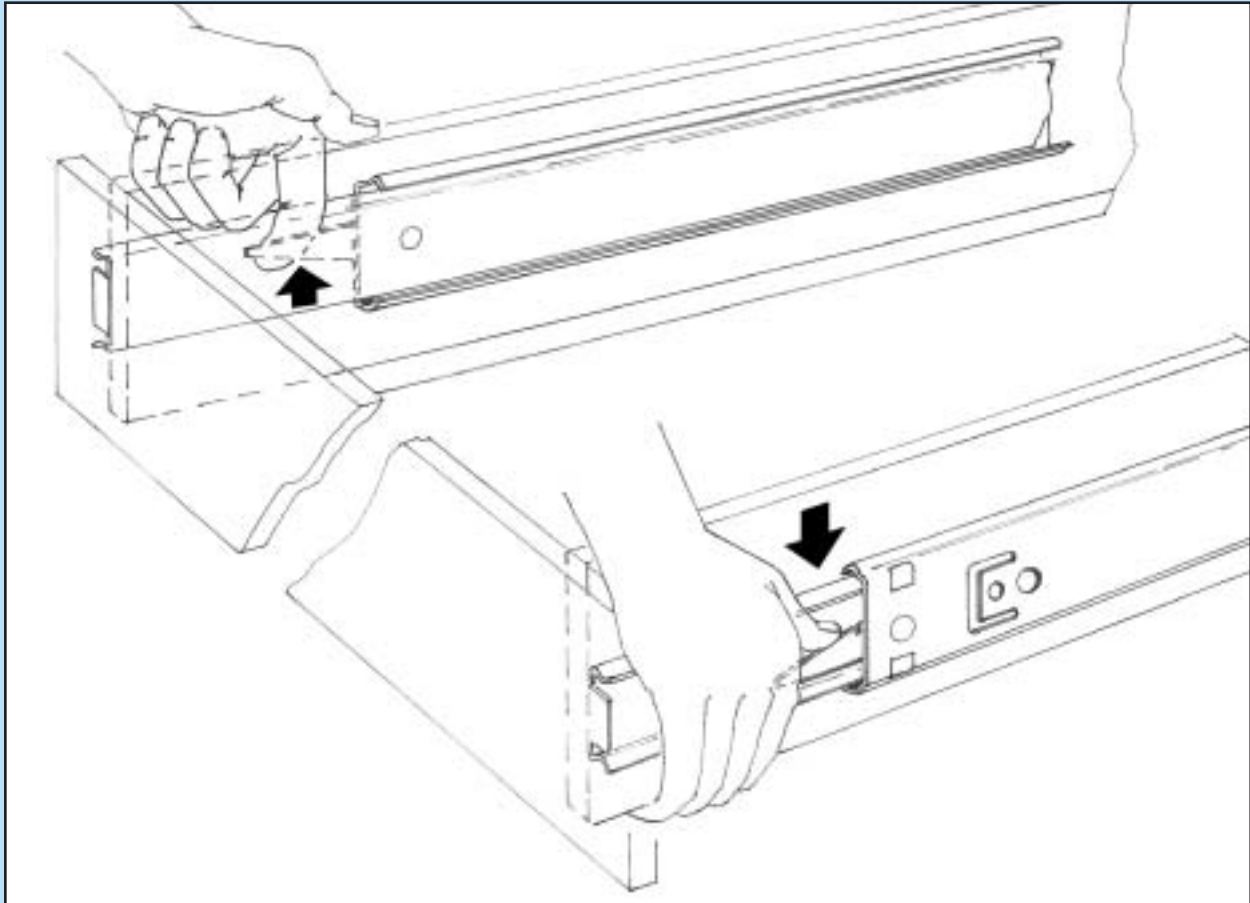


HANDED LEVER DISCONNECT INSTRUCTIONS

**MODELS 2132, 3832, 3834
3600-200, 3600-201,
2019, 2109**



To Remove Drawer

- Pull the drawer fully open so levers are visible.
- Push “down” on the right lever, and “up” on the left lever.
- Holding levers in place, pull drawer toward you.

To Reinsert Drawer

- Bring ball retainer fully forward and carefully reinsert drawer member slide into the cabinet member slide, guiding the drawer member raceway between the ball bearings.
- Completely close drawer.
- Open and close drawer to ensure the slide is fully engaged into the ball bearing track.