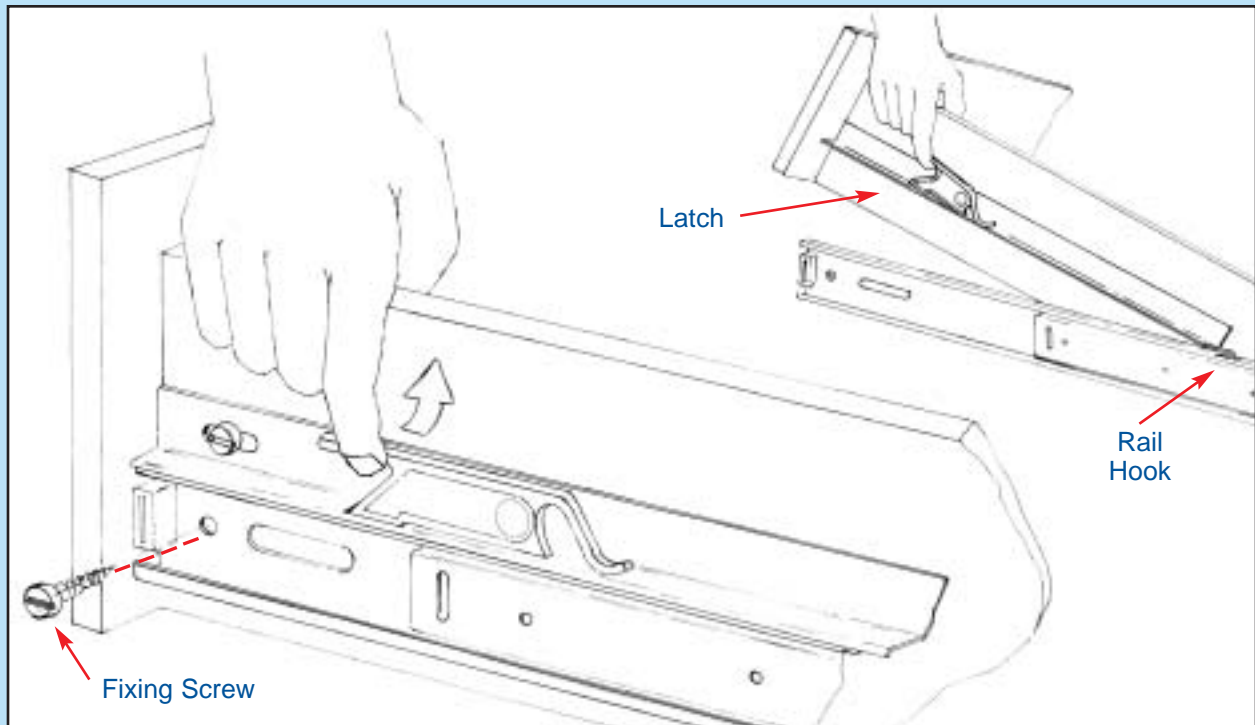


# HANDED RAIL DISCONNECT INSTRUCTIONS

**MODELS 2037, 2632, 3005,  
3017, 3037, 4032, 4033,  
4034, 4035, 7432, 7434**



## **To Remove Drawer**

- Pull the drawer fully open (remove fixing screw if required).
- Lift up the black plastic latch on both rails.
- Simultaneously pull the drawer forward to disengage rail.
- Lift drawer from slides.

## **To Reinsert Drawer**

- Pull slides fully open.
- Place drawer onto open slides so the rail latch rests on top of the slide members.
- Pull drawer forward to engage rail hooks and latch.
- Replace fixing screw if required.
- Close drawer.