

Accuride®

This product is covered by U.S. and various foreign patents issued and/or pending.

Slotted Rear Face Frame Bracket Kit Part Number 4180-0656-XE

For use with models:
3132SC Self-Close
3132EC Easy-Close

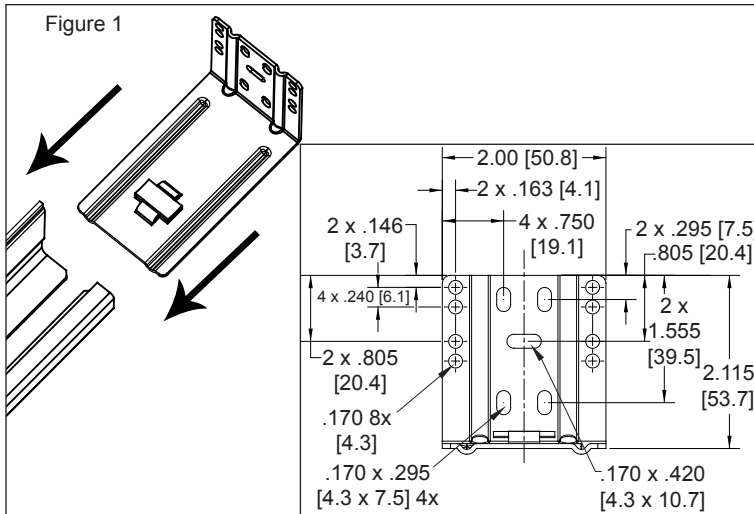


FIGURE 1

Push bracket onto the rear notch of the slide.

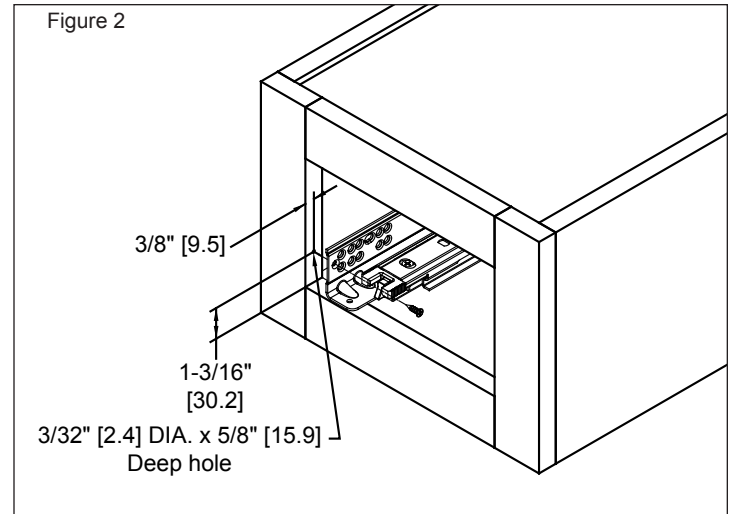


FIGURE 2

Pre-drill the front face frame hole. An optional drill jig can be used for pre-drilling this hole. Install front of slide to cabinet front face frame hole with #8 flat head screw.

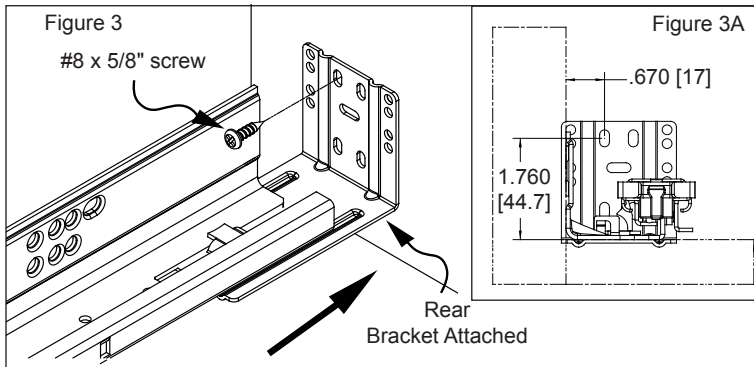


FIGURE 3

Extend the rear bracket until it contacts the rear wall of the cabinet.

Install #8 pan head screw through the vertical slot to the cabinet rear wall. Screw hole location as shown in figure 3A.

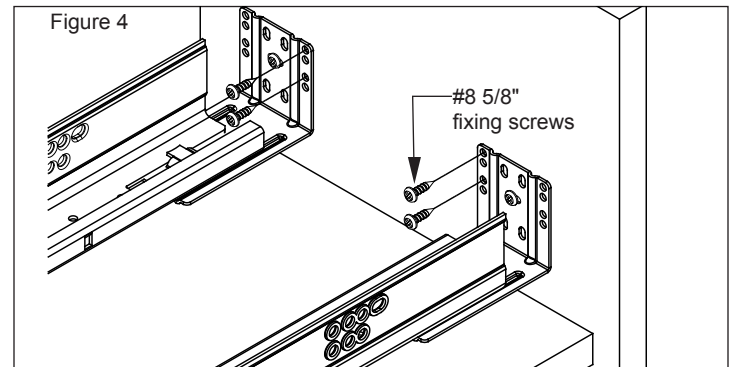


FIGURE 4

See model 3132SC/EC technical sheet for drawer dimensions and preparation.

Drawer Installation

To install, lower the drawer onto the slides and push until the handles lock onto the front of the slides. Continue to push until the drawer "ratchets" in completely.

Ordering/Packaging Information

Face frame brackets are ordered as a kit, or in bulk. Brackets are provided in clear zinc finish.

To order the kit, specify part number 4180-0656-XE. Each kit contains 2 rear brackets, 6 each #8 x 5/8" screws and one installation sheet in a polybag.

To order in bulk, specify part number 4180-0655-XE. Brackets are packed 120 each with screws in a polybag.

Clear zinc finish is RoHS compliant.

Accuride

ACCURIDE INTERNATIONAL INC.

12311 Shoemaker Avenue
Santa Fe Springs, CA 90670

TEL (562) 903-0200
FAX (562) 903-0208

www accuride.com

Manufacturing, Engineering, and Sales

United States • Germany • Japan • Mexico • United Kingdom • China

Copyright © 2007 Accuride International Inc. 3700-9509(1186)-MK11-N-0708

For the most current technical information visit www accuride.com