



## MODEL 3832ESC/3834ESC

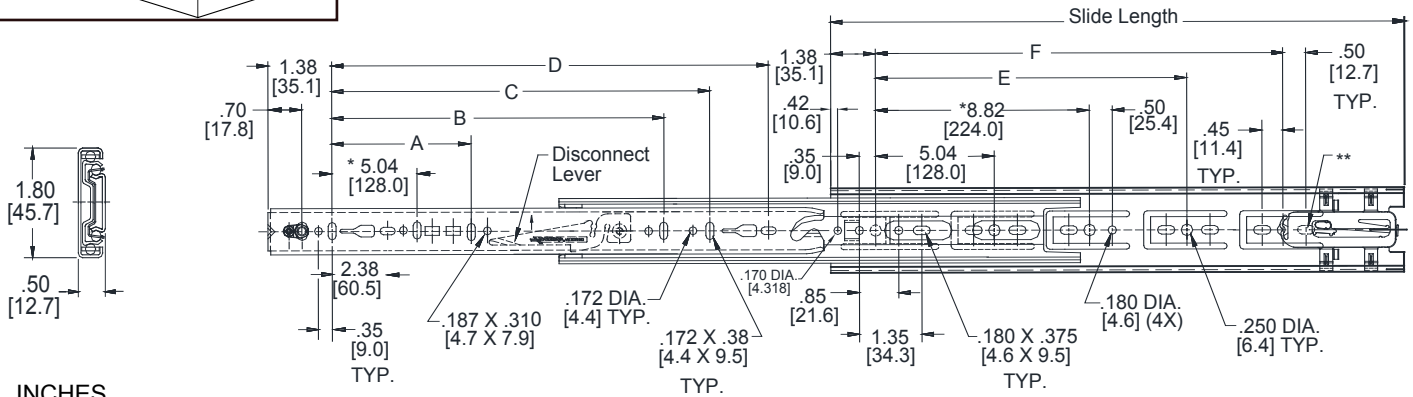
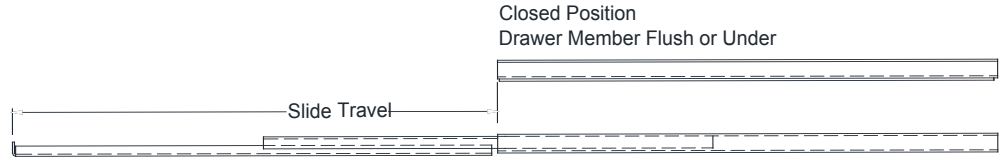
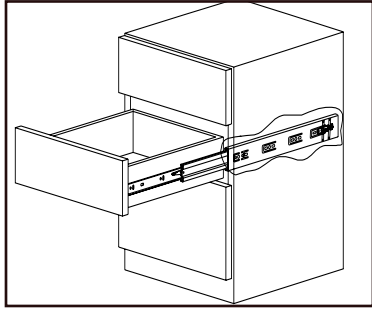
- Vertical Drawer Adjustment
- Self-Close Feature
- Stay-Close Feature
- Optional Rear Face Frame Bracket



**APPLICATIONS:** For use in wood pedestals, dresser and desk drawer, casework, residential and kitchen cabinetry. **Not intended for lateral file drawer applications. Use for side mount only. This product is covered by U.S. (5,980,007) and various foreign patents issued and/or pending.**

## 3832ESC/3834ESC QUICK REFERENCE

Side space: 1/2" + 1/32" x 2  
 Length: 3832ESC: 12"-26"  
               3834ESC: 14"-26"  
 Overall slide dimensions: 1.80" x 1/2"  
 Load Rating: 3832ESC 100 lbs.\*  
               3834ESC 90 lbs.\*



INCHES  
mm

\* Slot not available on 12" lengths.  
 \*\* Slot not accessible on 16" and 20" lengths.

**Finishes:** Clear electroplate (C), black electroplate (CB), or white electrocoat (EW) finish

**Lengths:** 3832ESC: 12"-26" [300 mm-650 mm]  
 3834ESC: 14"-26" [350 mm-650 mm]

**Load Rating:** 3832ESC up to 100 lbs. [45.5 kg.] per pair  
 3834ESC up to 90 lbs. [41.0 kg.] per pair

**Travel:** 3832ESC: Full extension  
 3834ESC: 1" [25.4 mm] over travel

**Disconnect:** Handed lever disconnect

**Height:** 1.80" [45.7 mm]

**Side Space :** .50" +0.031 / -0.0 [12.7mm +0.8 / -0.0]

**Mounting:** Side, optional rear face frame brackets

**Hardware:** Flat head 6mm Euro System screw or #8 pan head screw

**Ball** C & CB finish: Steel

**Bearings:** EW finish: Acetal polymer in drawer member

**Features:** Drawer member vertical cam adjustment;  
 hold-in detent; silenced open and closed

Part Number	Slide Length	Slide Travel		A	B	C	D	E	F
		3832	3834						
3832-E12SC	11.81 [300]	11.25 [286]					9.09 [231]		
3832-E14SC 3834-E14SC	13.78 [350]	14.00 [356]	15.00 [381]				11.06 [281]		
3832-E16SC 3834-E16SC	15.75 [400]	16.00 [406]	17.00 [432]				13.03 [331]	11.34 [288]	
3832-E18SC 3834-E18SC	17.72 [450]	18.00 [457]	19.00 [483]		12.60 [320]		14.99 [381]	12.60 [320]	
3832-E20SC 3834-E20SC	19.69 [500]	20.00 [508]	21.00 [533]				16.96 [432]	15.12 [384]	
3832-E22SC 3834-E22SC	21.65 [550]	22.00 [559]	23.00 [584]		16.38 [416]		18.93 [481]	16.38 [416]	
3832-E24SC 3834-E24SC	23.62 [600]	24.00 [610]	25.00 [635]	8.82 [224]	16.38 [416]		20.90 [531]	13.86 [352]	18.90 [480]
3832-E26SC 3834-E26SC	25.59 [650]	26.00 [660]	27.00 [686]	8.82 [224]	16.38 [416]	21.42 [544]	22.87 [581]	13.86 [352]	20.16 [512]

\* Load rating based on an 22" slides mounted in a 24" wide drawer cycled 50,000 times. (Meets AWI and BHMA standards.)  
 • A lateral file is wider than it is deep.

NOTE: Drawer width should not exceed slide length.

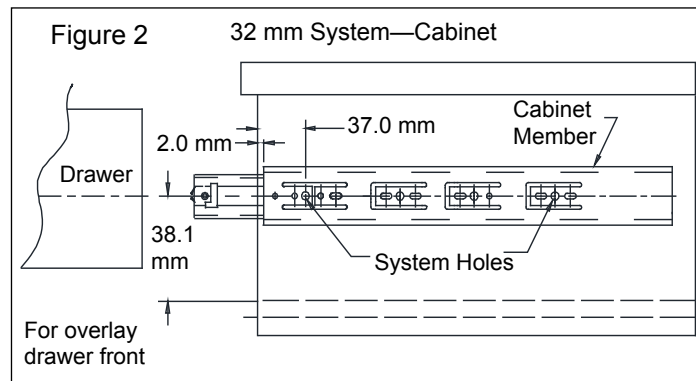
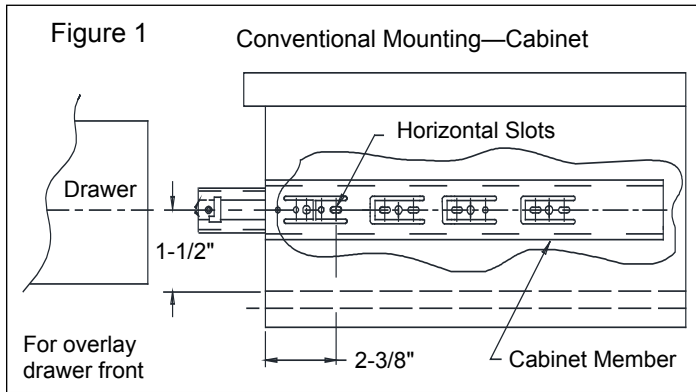
NOTE: For optimal performance, make drawer 1-16" [27.0 mm] less than the cabinet. Slide may not function properly if side space is less than .50" [12.7mm]

**Drawer Box Preparation**

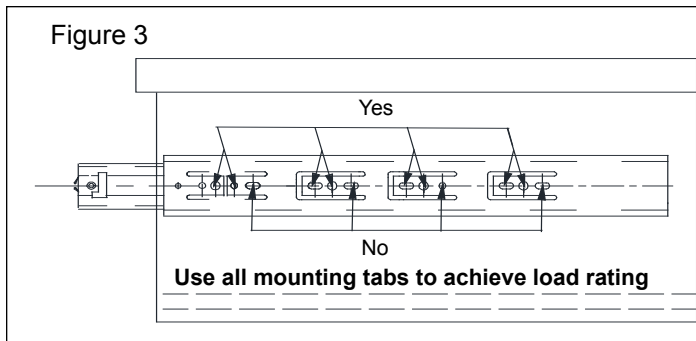
1. Drawer box width should not exceed slide length.
2. Slides will not function properly if side space is less than .50" [12.7 mm]. For optimum performance, construct drawer 1-1/16" [27.0 mm] smaller than cabinet opening.

**Cabinet Member Installation**

1. **Overlay drawer front:**
  - Conventional mounting, see Figure 1.
  - 32 mm system mounting, see Figure 2.
2. **Inset drawer front:** slide setback is the thickness of the drawer front plus 1/8" [3.2 mm].

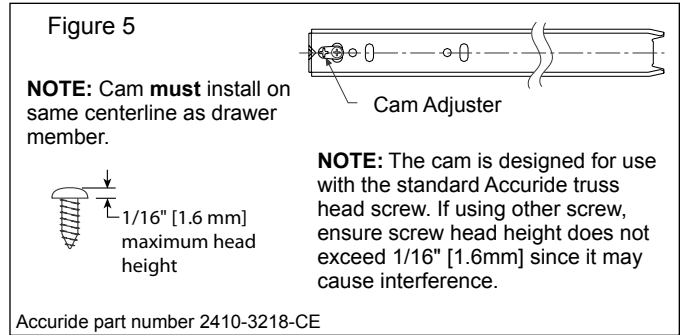
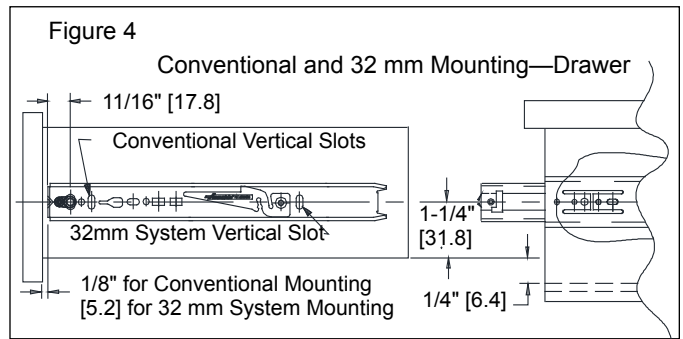


3. Use only the 32 mm system holes or the wood screw holes located at the tip of the breathing tabs. Do not use any other holes on the cabinet member for mounting (Figure 3).



**Drawer Member Installation**

4. See Figure 4 for drawer member setback.
5. Install the drawer member with a screw through the cam adjuster and a screw through a hole or slot at the rear (Figure 5).



**Drawer Insertion and Adjustment**

6. **Make sure the ball bearing retainers in the cabinet member are fully forward.** Insert the drawer member into the cabinet member. Push the drawer in until completely closed. Cycle the drawer two or three times.
7. To adjust the drawer front position, open the drawer and rotate the cam with a Phillips or Pozi screwdriver to adjust the vertical position of the drawer. Total vertical adjustment is 1/8" [3.2 mm]; +/- 1/16" [1.6 mm] from center up and down.
8. Install additional set screws to secure. Install drawer pulls or knobs.

**Slide Ordering Information**

Complete your slide order for Accuride models 3832ESC and/or 3834ESC by specifying the following:

			3834	-E18	SC	D	
	50	Pair	C	3832	-E18	SC	D
Total Required Slides							
Slide Finish							
Slide Model							
Slide Length							
Self-Close Feature							
Polybag Packaging							

**Packaging**

**Distributor (D) Pack:** All lengths are packaged 10 pair per box. Polybag includes one pair of slides with mounting screws.

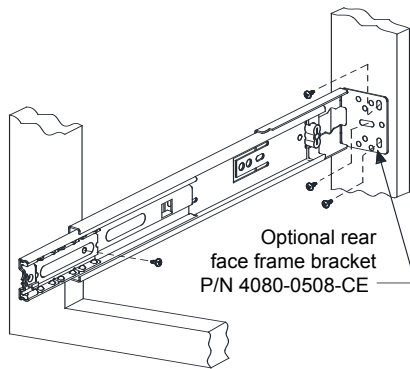
**Bulk (P) Pack:** All lengths are packaged 10 pair per box. Slides and screws are ordered and packaged separately.

## Optional Rear Face Frame Brackets

Rear face frame brackets for face frame installation can be ordered as a kit or in bulk. Brackets are available in clear zinc finish only. Mounting screws are not included.

To order a **kit**, specify P/N 4180-0752-XE. Each kit contains: 2 rear brackets, and installation instructions. Order 1 kit per pair of slides.

For **bulk**, specify P/N 4080-0508-CE, which contains 2 rear brackets for a pair of slides.



## Specifications

**Slide members and ball retainers:** Cold rolled steel

**Ball bearings:** Carburized steel/acetal polymer.

**RoHS compliant.**

**NOTE:** Specifications, materials, prices, terms, and delivery are subject to change without notice.

# Accuride

ACCURIDE INTERNATIONAL INC.

12311 Shoemaker Avenue  
Santa Fe Springs, CA 90670

TEL (562) 903-0200

FAX (562) 903-0208

[www accuride.com](http://www accuride.com)

Manufacturing, Engineering, and Sales

United States • Germany • Japan • Mexico • United Kingdom • China

Copyright © 2010 Accuride International Inc. 3700-9466(1111)-MK086-R3-0916