

3800 Slide Series

3800 family

Model 3832E

Classic

Model 3832ESC

Model 3832ETR

Model 3832EC

Model 3832EHDSC

and more



3832E Classic



3800 SLIDE SERIES

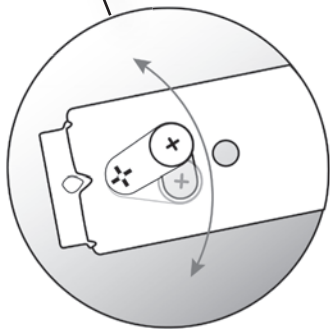
Features & Benefits

The 3800 Series has been re-engineered to improve movement and ease installation. Enhanced slides include these new features:

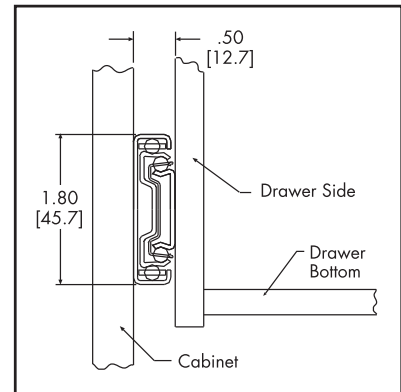
- ANSI/BHMA/WI 2014 Certified for drawers up to 24”*
- Enhanced fluid movement
- Front face frame hole



3832E Classic



cam
DRAWER
ADJUST



NOTE: The correct side space dimension is critical to optimal performance. Be sure the drawer box is 1-1/16” smaller than the cabinet drawer opening.

Standard Features & Benefits

- Load Ratings up to 100 lbs.*
- Lever disconnect
- Cam drawer adjust feature for precise vertical adjustments
- 32mm and traditional hole patterns
- Flexible mounting tabs to offset side space variations
- Choice of finish: Clear Zinc, Black Electroplate, & White Electrocoat*



*varies by model

3800 SLIDE SERIES

The 3800 Series combines versatility with smooth functionality and streamlined installation. With a robust selection of options, the 3800 Series is an ideal movement solution for commercial and residential applications.

3832E Classic

- BHMA/AWI Certified
- Load rating up to 100 lbs.
- Full extension
- Hold-in detent prevents drawer roll-out and bounce-back
- Even lengths 6"-28"
- FP (Production) Packing for lengths 10"-28"
- Front face frame hole

3832EC (Easy-Close)*

- Load rating up to 100 lbs.
- Full extension
- Brings drawers to a gentle close
- Even lengths: 14"-28"
- Front face frame hole

3832ESC (Self-Closing)*

3832EHDSC (Heavy-Duty Self-Closing)*

- Load rating up to 100 lbs.
- Full extension
- Closes drawers and keeps them closed
- Even lengths 12"-28"
- Front face frame hole

3832ETR (Touch-Release)

3832EHDTR (Heavy-Duty Touch Release)

- BHMA/AWI Certified
- Load rating up to 100 lbs.
- Full extension
- Holds drawers or pull-out shelves in a closed position until activated by touch
- Even lengths 12"-28"
- Front face frame hole



3832EDO (Detent Out)

- BHMA/AWI Certified
- Load rating up to 100 lbs.
- Full extension
- Special detent out to hold drawers or pull-out shelves in an open position
- Even lengths 10"-24"
- Front face frame hole

3834E Over-Travel

- Load rating up to 90 lbs.
- 1" over travel
- Hold-in detent prevents drawer roll-out and bounce-back
- Even lengths 12"-28"
- FP (Production) Packing for all lengths
- Front face frame hole

3834ESC (Self-Closing)*

- Load rating up to 90 lbs.
- 1" over travel
- Closes drawers and keeps them closed
- Even lengths 14"-28"
- Front face frame hole

CH3832 - Weather Resistant

- BHMA/AWI Certified
- Load rating up to 100 lbs.
- Full extension
- Special coating offers 8x more protection than standard zinc
- Stainless steel ball retainer, ball bearings, and rivets
- Even lengths 10"-28"
- Front face frame hole



* Easy-Close and Self-Closing products require a stronger pull force to open drawers.

3800 SLIDE SERIES

Optional Kits

3832E | 3834E | CH3834 | 3832ESC | 3832EHDSC | 3834ESC

Rear bracket kit P/N 4180-0752-XE

3832EC

Rear face frame bracket kit P/N 4180-0745-XE

3832ETR/3832EHDTR

Rear bracket kit P/N 4180-0758-XE

Clip-on Bracket* P/N 510-08XX (varies by length)

Pilaster kit P/N 4180-0266-XE



Rear Bracket P/N 4180-0752-XE

*Fits all models except 3832ETR, 3832EHDTR and 3832EC

Features at a Glance

Model	Full Extension	Over Travel	Self Closing	Heavy Duty	Weather Resistant	Touch Release	Easy Close	Detent Out	Clip-on Bracket
3832E	•								•
3832EC	•						•		
3832ESC	•		•						•
3832EHDSC	•		•	•					•
3832ETR	•					•			
3832EHDTR	•			•		•			
3832EDO	•							•	•
3832E		•							•
3834ESC		•							•
CH3832	•				•				•

Authorized Distributor

Accuride®

12311 Shoemaker Avenue
 Santa Fe Springs, CA 90670
 phone: 562.903.0200
 fax: 562.903.0208
accuride.com

©2020 Accuride International Inc.
 SS_CH_3800SlideSeries_SellSheet_032020

Follow us:

