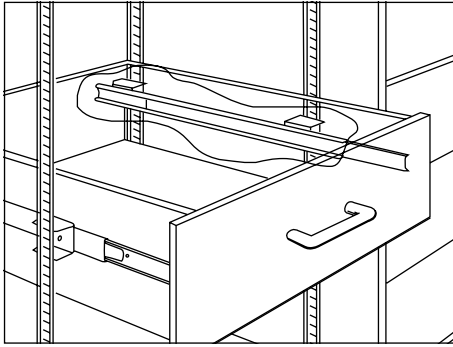


**APPLICATIONS:** Kitchen cabinetry, shelves in laboratory furniture, or situations where spacing between drawers may change.

**Part Number 4180-0266-XE**  
Use with models 2132 and 3832



### Pilaster Bracket Mounting Instructions

1. Attach bracket to the slide using nut, washer, and screws provided. Mount through slide member slots for greater adjustability. See Figure 1.
2. Rotate the bracket to the left or right depending on which hand slide is needed. See Figure 2. Ensure the spring lock is facing downward when mounted.
3. Install top of the bracket first into slot on the pilaster strip. Push the bottom of the bracket upward to fit into pilaster strip slot. See Figure 3.
4. After mounting bracket is in place in pilaster strip, pry locking spring forward with screw driver blade until tab "clicks" into place. See Figure 4.

### Ordering Instructions

The pilaster brackets and mounting hardware are ordered as a kit (Accuride part number 4180-0266-XE). Order 1 kit per pair of slides. The kit contains:

- 4 each pilaster brackets
- 4 each mounting screws
- 4 each hex nuts
- 8 each washers

### Pilaster Strip

Accuride pilaster brackets fit slotted shelf standards (1/8" by 1/4" slots on 1/2" pitch). Accuride pilaster brackets can be used with Knape & Vogt (KV) 255 and 233 pilaster strips and Hettich (Grant) 120 pilaster strips. See Figure 5.

**Note:** RoHs compliant.  
Specifications, materials, prices, terms, and delivery are subject to change without notice.

Figure 1

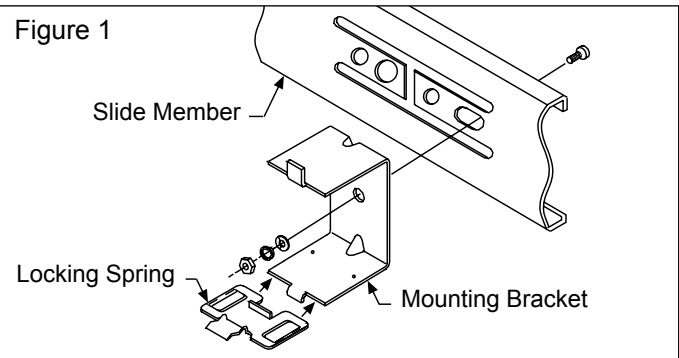


Figure 2

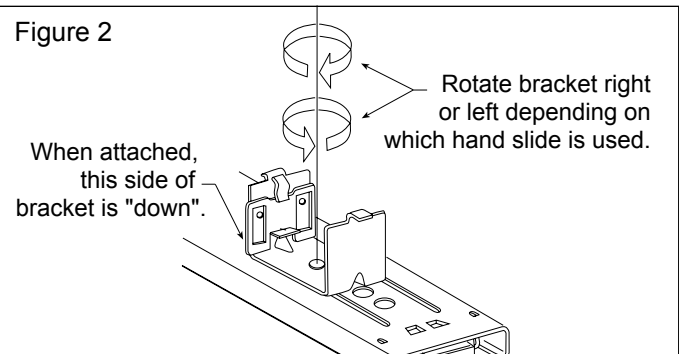


Figure 3

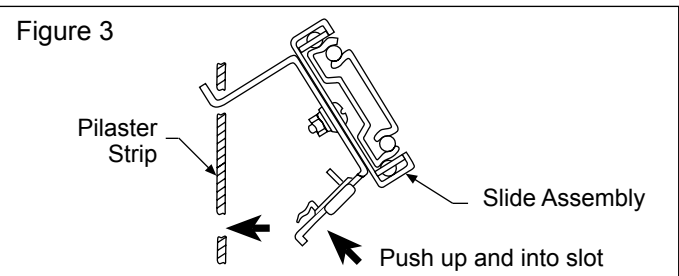


Figure 4

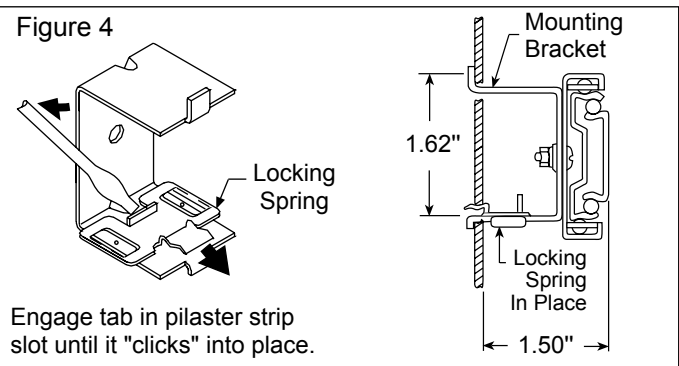


Figure 5

