

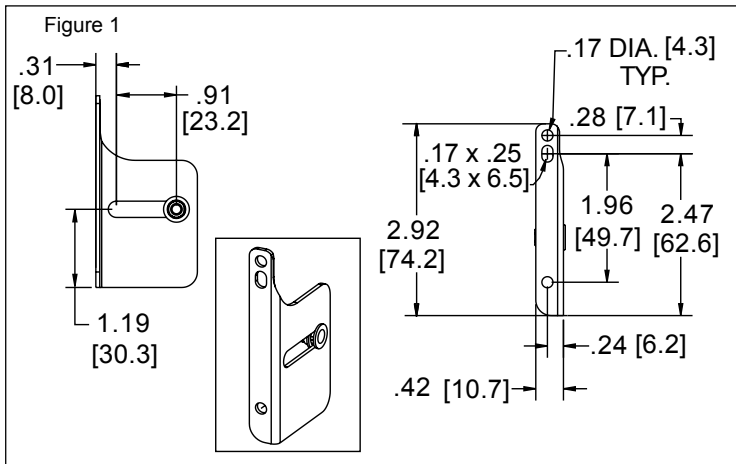


This product is covered by U.S. and various foreign patents issued and/or pending.

Not recommended for applications where beaded moldings are used.

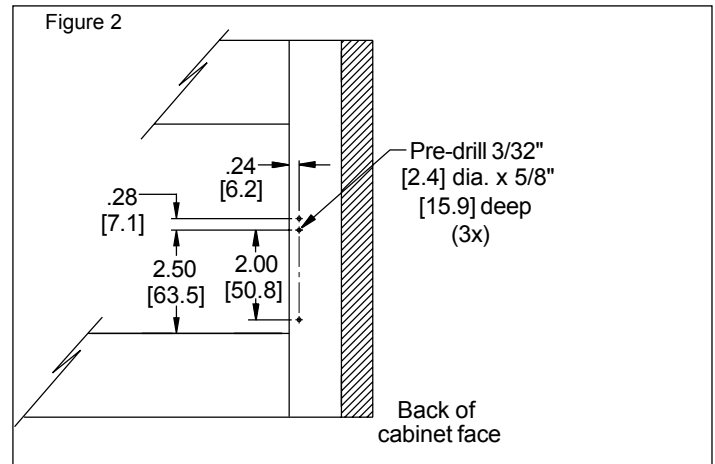
## Bottom Inset Face Frame Bracket Kit Part number 4180-0605-XE

For use with model  
3135EC Easy-Close



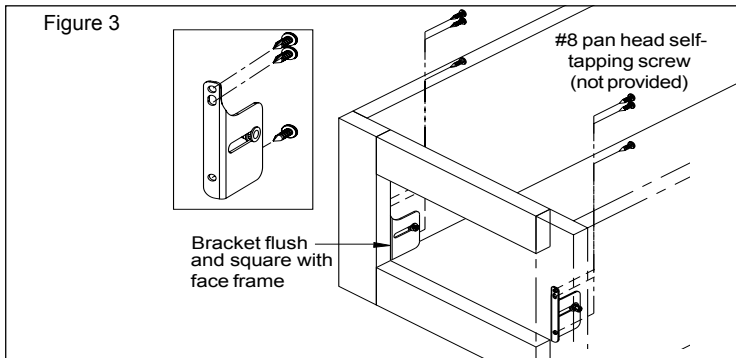
### PREPARATION

When using the bottom inset face frame bracket kit (part number 4180-0605-XE), a rear face frame bracket is required. To order the rear face frame bracket, use part number # 4180-0656-XE separately. Refer to figure 1 of the rear face frame technical sheet for instructions to attach bracket.



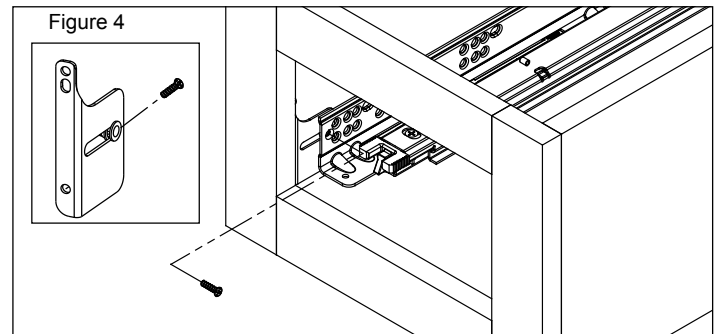
### FIGURE 2

Pre-drill 3/32" [2.4 mm] dia. holes as shown on both sides of the cabinet.



### FIGURE 3

Position the inset brackets flush and square with cabinet's front face frame opening. Install using #8 pan head screws (not provided).



### FIGURE 4

Install front of slide to the front inset bracket using the #8-32 flat head machine screws that are provided in the kit.

**Note: Do not tighten the screw until slide is properly positioned.**

Refer to the rear face frame bracket technical sheet and follow procedures for figures 3 and 4. The inset bracket slots provide for a flush inset drawer front. Locate slides based on desired drawer front position. Tighten the #8-32 machine screw to fix the slide location and complete the installation.

## Ordering/Packaging Information

Bottom inset face frame brackets are ordered as a kit. Kits are packaged 60 per box. Brackets are provided in zinc finish. Cabinet mounting screws are not included.

To order the kit, specify part number 4180-0605-XE. Each kit contains 1 pair bottom inset bracket assemblies, 2 each #8-32 flat head screws, and an installation guide in a polybag.

Note: RoHS Compliant

Specifications, materials, prices, terms and delivery are subjected to change without notice.



ACCURIDE INTERNATIONAL INC.

12311 Shoemaker Avenue  
Santa Fe Springs, CA 90670

TEL (562) 903-0200  
FAX (562) 903-0208  
www accuride.com

Manufacturing, Engineering, and Sales  
United States • Germany • Japan • Mexico • United Kingdom • China