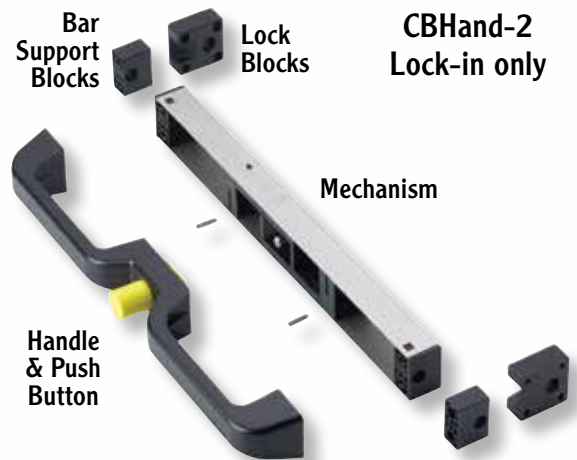


Model CB-Hand Locking Handle Kit

- Adds push button lock-in and lock-out
- Lightweight and corrosion resistant
- Drawers up to 60" wide

**Wood or metal drawers
up to 1/2" material thickness**



**Lock drawers in
open or closed
positions**



Model CB-Hand Locking Handle Kit

Presenting the CB-Hand Locking Handle Kit, a unique way to add lock-in and lock-out features to drawers or trays mounted on heavy-duty slides. Comprised of corrosion-resistant components, the CB-Hand locking handle offers one-hand activation with a centrally located push button.

Features and Benefits

- Compatible with models 7950/7957, 9301, and other slides with cross sections .75" or greater.
 - Accommodates drawers up to 60" wide.
 - **Two locking options**
 - Standard Lock-in only: handle kit mounts to front of drawer
 - Optional Lock-out: added with a conversion kit. Mechanism mounts to the rear of the drawer.
- NOTE: Lock-out not intended for use with over travel slides.
- Push-button at the center of the handle provides for intuitive, one-handed operation.
 - Lightweight and corrosion-resistant components
 - Cut-to-length stainless steel rods allow for customized drawer widths.

Availability

The standard CBHand-2 includes the handle components and lock mechanism for lock-in only. For lock-out, a separate conversion kit is required (CBHan4-5), plus a connection rod (not included). Stainless steel rods are ordered separately (one set per handle kit). For additional ordering information, see the product technical sheet.

Packaging/Kits

CBHand-2 – Handle kit with lock-in

CBHan3-0100-2 – Includes two 19.7" stainless steel rods

CBHan3-0150-2 – Includes two 29.5" stainless steel rods

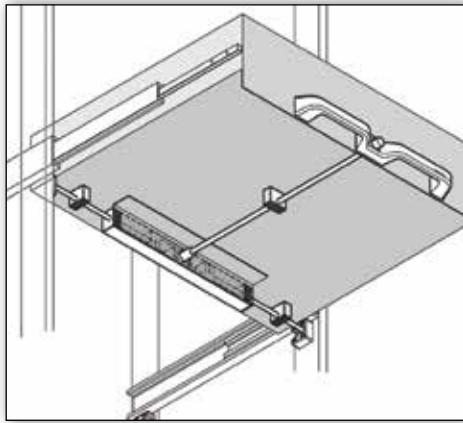
CBHan4-5 – Lock-out conversion kit



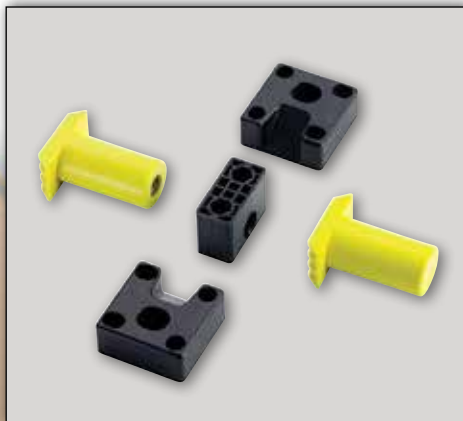
Authorized Distributor



Central push-button activation



Rear-mount addition of lock-out requires conversion kit and customer-supplied linking bar.



CBHAN4-5
Lock-out conversion kit components

Accuride

12311 Shoemaker Avenue
Santa Fe Springs, CA 90670
562 903-0200 Telephone
562 903-0208 Fax
www.accuride.com

Follow us

