



Clip-On Bracket

5410-08XX-XX

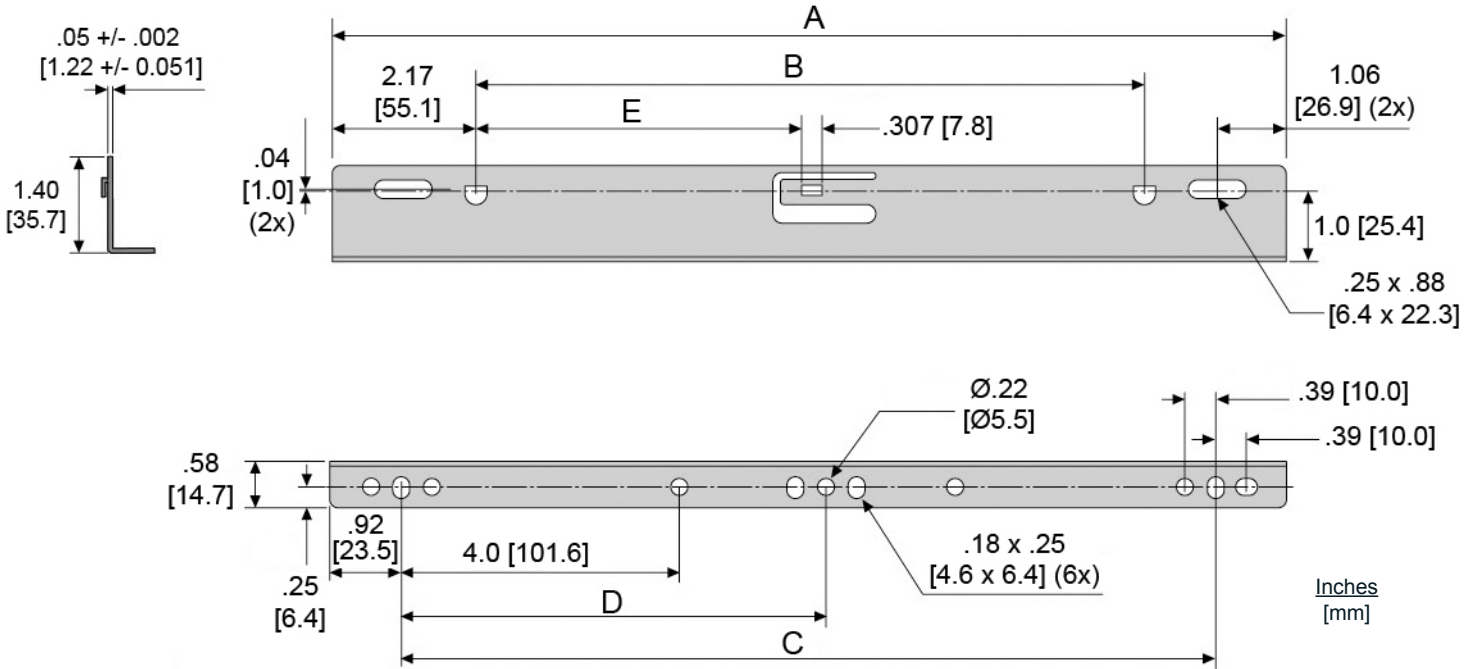
APPLICATIONS:

The Clip-On Bracket enables bottom or platform mounting with side-mount ball bearing slides. Compatible with 2109, 2132, 3732, and 3832E (selected models).
This product is covered by U.S. (6,416,145 B1) and various foreign patents issued and/or pending.

Clip-On Bracket

for Models

2109, 2132, 3732,
 3832E Classic, 3832EDO,
 3832ESC, 3832EHDSC
 & CH3832.



Finish: Zinc (CE), white (WE), and Black (BE)

Load: Varies by model

Hardware: 6 mm Euro Screw and #8

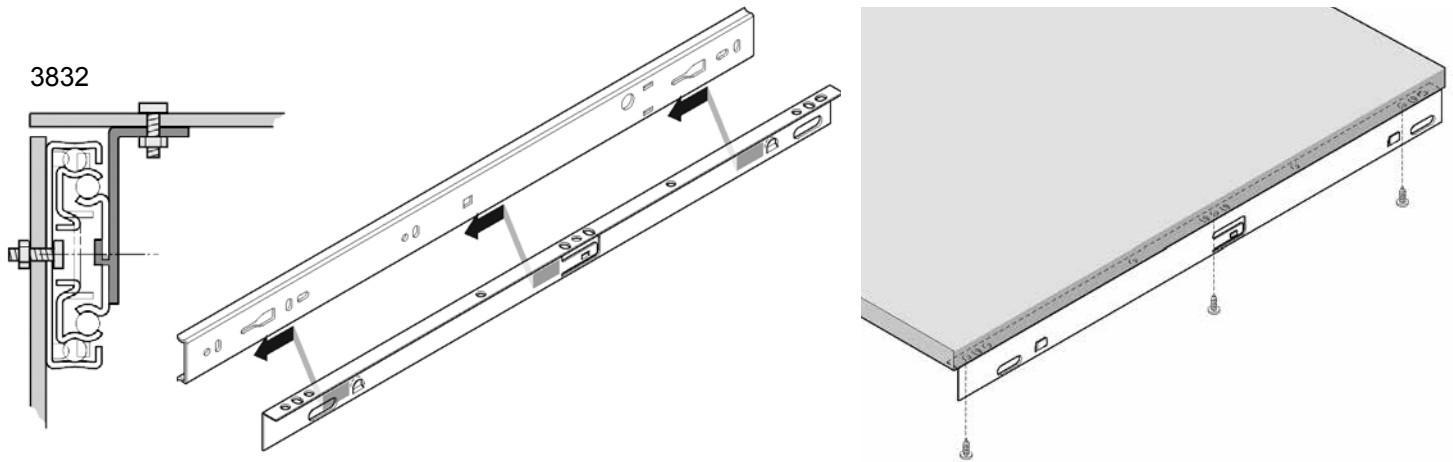
Bracket Lengths: Even lengths 14"-22"

Height: 1.40"

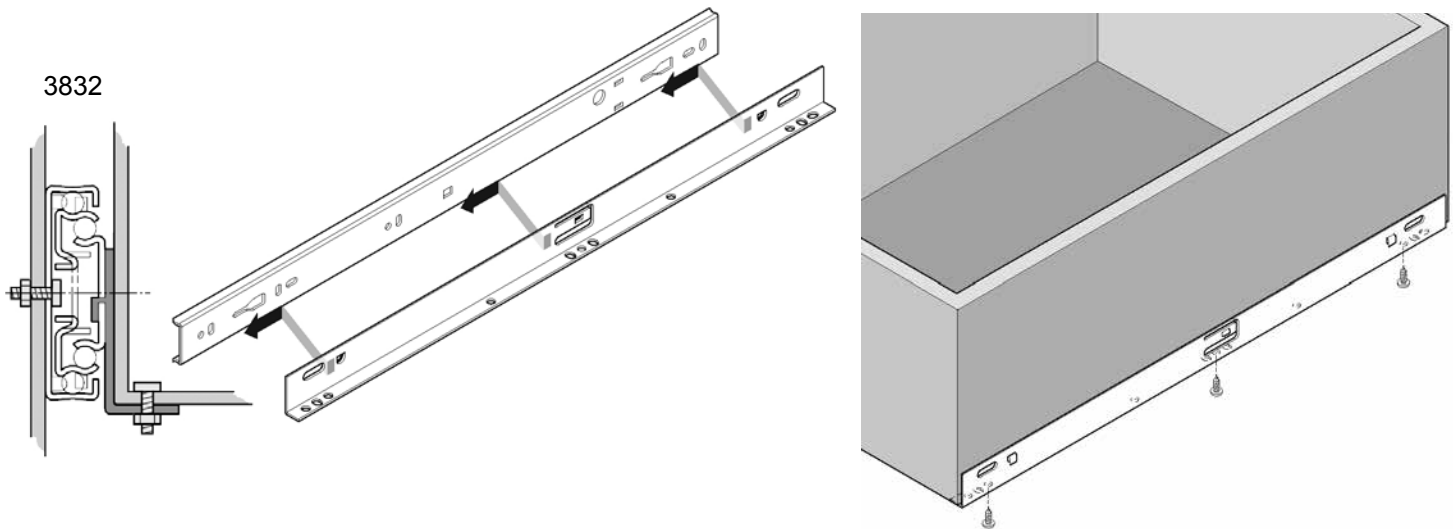
Features: Clip-On Bracket (tool-less) installation
 Screw driver required to disengage
 and pry for removal purposes only.

Slide Lengths

Bracket		Slides	Inch [mm]					W	Qty of brackets required per pair of slides
P/N	Length		A	B	C	D	E	lb [kg]	
5410-0800	14"	3832-E14, 3732-14, 3834-E14	13.65 [346.7]	9.31 [236.5]	11.81 [300.0]	5.90 [150.0]	4.50 [114.4]	.71 [0.32]	2
5410-0801	16"	3832-E16, 3834-E16, 3732-16, 2132-16, 2109-16	15.62 [396.7]	11.28 [286.6]	13.78 [350.0]	6.89 [175.0]	5.48 [139.37]	.79 [0.36]	2
5410-0802	18"	3832-E18, 3732-18, 3834-E18, 2132-18/24/26/28, 2109-18/24/26/28	17.59 [446.8]	13.25 [336.6]	15.75 [400.0]	7.87 [200.0]	6.47 [164.4]	.90 [0.41]	2
5410-0803	20"	3832-E20, 3732-20, 3834-E20, 2132-20, 2109-20	19.56 [496.8]	15.22 [386.6]	17.72 [450.0]	8.86 [225.0]	7.45 [189.4]	1.01 [0.46]	2
5410-0804	22"	3832-E22/24/26/28, 3732-22/24/26/28, 3834-E22/24/26/28, 2132-22, 2109-22	21.53 [546.8]	17.19 [436.6]	19.69 [500.0]	9.84 [250.0]	8.44 [214.4]	1.12 [0.51]	2



Bottom Mount



Packaging

Each bracket is sold singly, hardware is not included. Two brackets are required for a pair of slides.

Ordering Instructions

To complete your order for the Clip-On Bracket specify the following:

Total Number of Clip-On Brackets Required	100 ea	5410-0804-CE
Clip-On Bracket Part Number		
Zinc Finish		

Specifications

Clip-On Brackets: Cold rolled steel
RoHs Compliant

NOTE: Specifications, materials, prices, terms, and delivery are subject to change without notice.



ACCURIDE INTERNATIONAL INC.

12311 Shoemaker Avenue
Santa Fe Springs, CA 90670

TEL (562) 903-0200
FAX (562) 903-0208

www.accuride.com

Manufacturing, Engineering, and Sales

United States • Germany • Japan • Mexico • United Kingdom • China

© 2017 Accuride International Inc. MK995-N-0917