

AERO III - MODEL 6331

- Under-mounted, concealed slide
- Compact and durable
- Up to 110-lb. load rating
- Customizable feature set



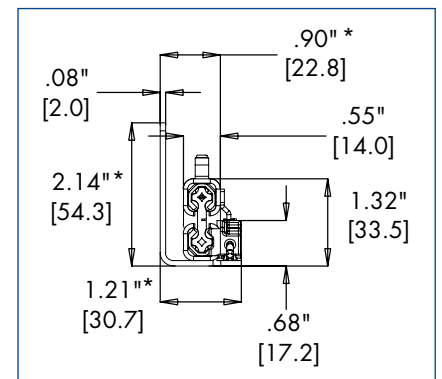
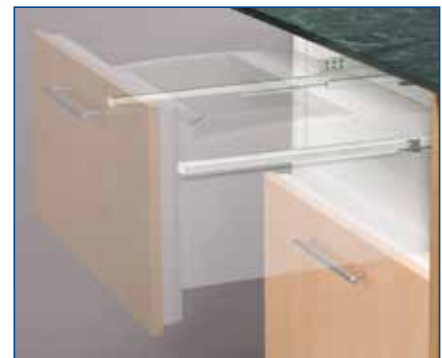
Model 6331 from Accuride features smooth, quiet operation in a compact and durable profile. This concealed movement solution offers customizable features and mounting—providing versatility for space-sensitive applications such as those found in mobile interiors, industrial equipment or machinery, and consumer products and appliances.

Features & Benefits

- Up to 110-lb. [50 kg] load rating
- Full extension or over travel for complete access.
- Accommodates cabinet or case widths up to 24" [609.6]
- Mounting bracket may be customized to suit application requirements.
- Self-Closing feature to ensure closure. Force of closure and stroke distance may be tailored to client specifications.
- Easy-Close feature brings drawers to a soft, quiet close. This feature available as a customized option.
- Fully concealed mounting provides clean appearance and safe operation without sharp edges or pinch points.
- Compact and symmetrical cross section provides the strength and performance of a larger slide in a smaller envelope of space.
- Corrosion-resistant coating and stainless steel ball bearings.
- Optional CE finish

For additional information or to discuss your project needs, please contact your local Accuride representative or email us at oemdirect@accuride.com.

Note: Images shown may be representative of potential applications.



* Dimensions may vary based on bracket developed for the specific application.

Accuride®
Always Moving Forward