



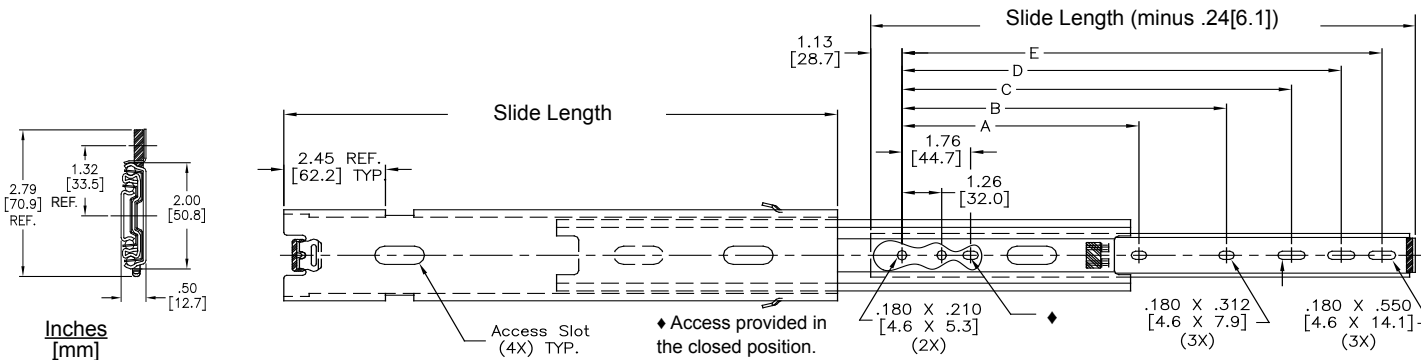
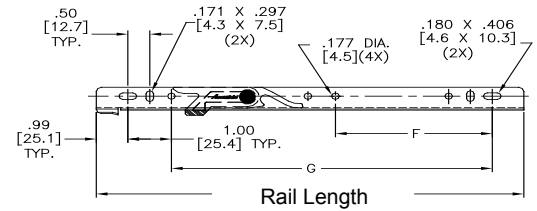
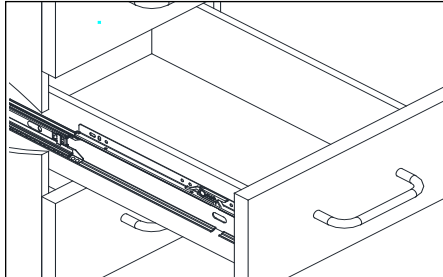
Rail Mounted, Over Travel
Telescopic Slides, Medium Duty
100 lb. [45 kg.] Capacity*

APPLICATIONS: Box and file drawers in wood and metal desks, credenzas, hotels, institutional furniture, and store fixtures on 24" [610mm] wide or less. **This product is covered by U.S. and various foreign patents issued and/or pending.**

Model 3017

QUICK REFERENCE

Side Space: (.50"+.030")
Lengths: 12" to 28"
Height: 2.79"
Load: 100 lbs.*



- Finishes** Clear-zinc (C) or black electroplate (CB)
- Lengths** 12" to 28" [304.8mm - 711.2mm]
- Height** 2.79" [70.9mm] (including rail and rail hook)
- Load** 100 lbs. [45 kg.] per pair*
- Side Space** .50" + .030 / - .000 [12.7mm + 0.8 / -0.0]
- Travel** Over travel
- Mounting** Side mount/rail mount
- Hardware** #8 pan head screws
- Movement** Acetal polymer ball bearings
- Disconnect** Rail lift off
- Features** Positive stop, detent-in silenced in and out stops, heavy-duty handed rail for wide or deep drawers, access holes for closed position mounting.

Heavy-Duty Handed Rails	Fits Slide Length	Rail Length	F	G
7555-1214-CL 7555-1214-CR	12"-14"	10.54 [267.7]	4.00 [101.6]	7.56 [192.0]
7555-1518-CL 7555-1518-CR	15"-18"	13.06 [331.7]	4.00 [101.6]	10.08 [256.0]
7555-1921-CL 7555-1921-CR	19"-21"	16.84 [427.7]	4.00 [101.6]	13.86 [352.0]
7555-2225-CL 7555-2225-CR	22"-25"	20.62 [523.7]	7.00 [177.8]	17.64 [448.1]
7555-2628-CL 7555-2628-CR	26"-28"	24.40 [619.8]	7.00 [177.8]	21.42 [544.1]

Slide Length	Travel	A	B	C	D	E
12.00	13.00 [330.2]		6.00 [152.4]	8.10 [205.7]	9.05 ‡ [229.9]	9.87 [250.7]
14.00	15.00 [381.0]		8.00 [203.2]	10.10 [256.5]	11.05 [280.7]	11.87 [301.5]
16.00	17.00 [431.8]		10.00 [254.0]	12.10 [307.3]	13.05 [331.5]	13.87 ‡ [352.3]
18.00	19.00 [482.6]	10.00 [254.0]	12.00 [304.8]	14.10 [358.1]	15.05 [382.3]	15.87 [403.1]
20.00	21.00 [533.4]	11.00 [279.4]	14.00 [355.6]	16.10 [408.9]	17.05 [433.1]	17.87 ‡ [453.9]
22.00	23.00 [584.2]	12.00 [304.8]	16.00 [406.4]	18.10 [459.7]	19.05 ‡ [483.9]	19.87 [504.7]
24.00	25.00 [635.0]	13.00 [330.2]	18.00 [457.2]	20.10 ‡ [510.5]	21.05 [534.7]	21.87 [555.5]
26.00	27.00 [685.8]	14.00 [355.6]	20.00 [508.0]	22.10 [561.3]	23.05 [585.5]	23.87 ‡ [606.3]
28.00	29.00 [736.6]	15.00 [381.0]	22.00 [558.8]	24.10 ‡ [612.1]	25.05 [636.3]	25.87 [657.1]

‡ Holes spaced in 32mm increments.

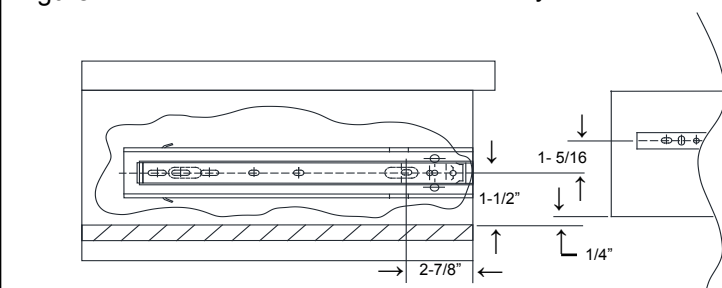
*Load rating based on 18" slides in a 24" wide drawer cycled 75,000 times

Installation Instructions

Mounting Slides to Cabinet

1. For overlay drawer fronts, position the cabinet member flush with the cabinet face (Figure 1). For inset drawer fronts, set cabinet member back 1/8".
2. Locate the slide cabinet member centerline 1-1/2" minimum above the bottom of the drawer opening and install #8 pan head screws in the horizontal slots at the front and rear of the slide member. See Figure 1.
3. Install the balance of the screws in the slide mounting holes after the final fitting of the drawer in the cabinet.

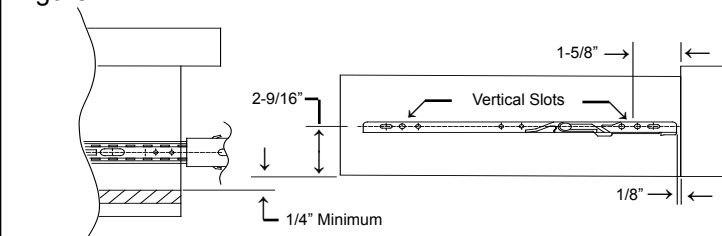
Figure 1 Cabinet Member Position- Overlay Drawer Front



Mounting Rails to Drawer Slides

1. Position the front edge of the rails 1/8" behind the rear of the drawer face and insert the mounting screws in the vertical slots 2-9/16" above the bottom of the drawer opening. See Figure 2. The distance from the centerline of the slide to the centerline of the rail is 1-5/16". See Figure 1.
2. Install the balance of the screws after the final fitting of the drawer in the cabinet.

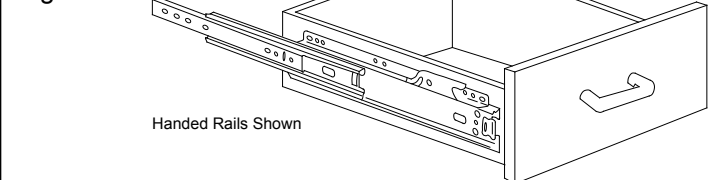
Figure 2 Cabinet Member Position - Inset Drawer Front



Installing Drawer

1. Lower the drawer onto the extended slides so that the rails on the drawer extend approximately 1" outward, beyond the slides.
2. Pull both slides forward until each spring loaded rail latch locks securely into each slide. See Figure 3.

Figure 3



Final Fitting of Drawers to Cabinet

1. Adjust the vertical height of each drawer by raising or lowering the rails on each side of the drawer by means of the screws in the vertical slots.
2. When the vertical position is correct, install the balance of the screws to lock the rails in the correct position.
3. Adjust the horizontal position of the drawers by moving the slides forward or backward in the horizontal slots of the slide cabinet member. When the drawer faces are in line, install the balance of the screws in the remaining holes to lock the slides in the correct position.

Important: For maximum slide load capacity, install screws in all available mounting holes.

Slide ordering Instructions

Complete your slide order for Accuride model 3017 by specifying the following:

Total Required Slides 100 Pair C 3017 14 D
 Slide Finish _____
 Slide Model _____
 Slide Length _____
 Optional Polybag Packaging (Includes handed rails) _____

To order rails specify the following:

Total Rails Required 200 Each 7555 -1214 -CL
 Rail Part Number _____
 Fits Slide Length _____
 Rail Finish/Rail Hand _____

(For Zinc finish specify "C". For Black finish specify "B".)
 (For Left hand rail specify "L" For Right hand rail specify "R".)

For the most current technical information please visit www.accuride.com

Packaging Options

Distributor (D) Pack: Polybag packaging includes 1 pair of slides, handed rails, and mounting screws.

Lengths 12"– 18" 10 pair per box
 Lengths 20"– 28" 5 pair per box

Bulk (P) Pack: Left hand slides, right hand slides, and rails are packed in separate boxes.

Lengths 12"–20" 20 each per box
 Lengths 22"–28" 10 each per box

X-Pack: Slides, rails, and screws packaged in one box (without polybag)

Lengths 12"–18" 10 pair per box
 Lengths 20"–28" 5 pairs per box

Specifications

Slide members and ball retainers: Cold rolled steel
 Ball bearings: Acetal polymer
 RoHS compliant.

NOTE: Specifications, materials, prices, terms, and delivery are subject to change without notice.

Accuride

ACCURIDE INTERNATIONAL INC.

12311 Shoemaker Avenue
 Santa Fe Springs, CA 90670

TEL (562) 903-0200
 FAX (562) 903-0208
www.accuride.com

Manufacturing, Engineering, and Sales
 United States • Germany • Japan • Mexico • United Kingdom • China

Copyright © 2014 Accuride International Inc. 3700-9014(1045)-MK021-R9-0914