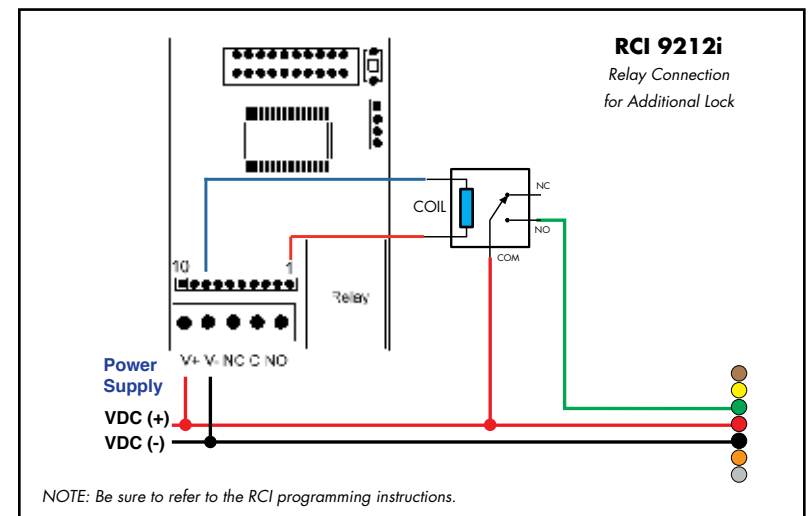
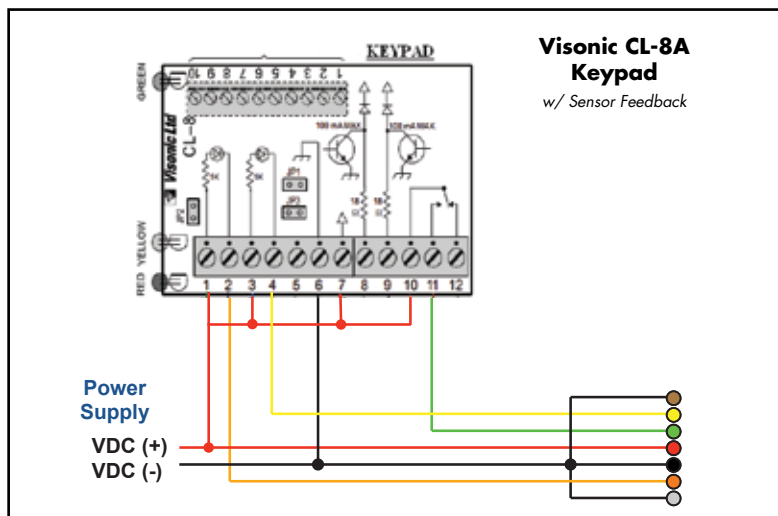
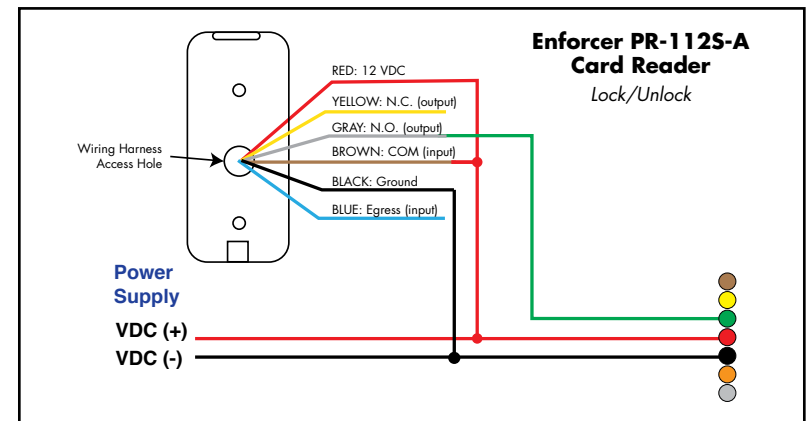
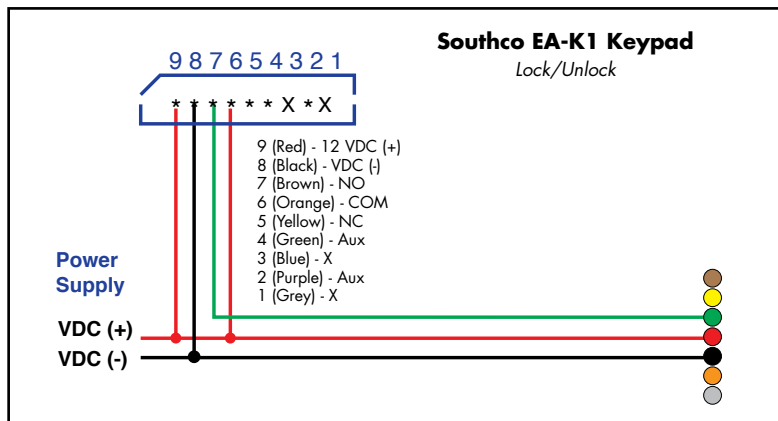
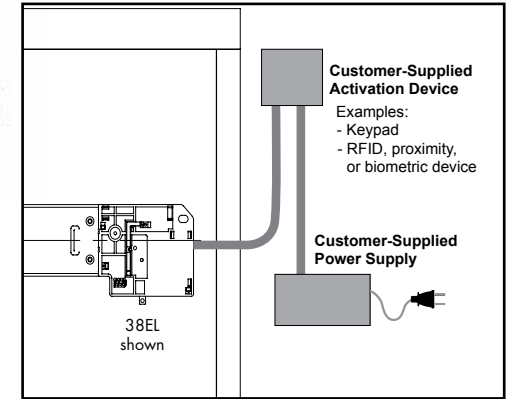
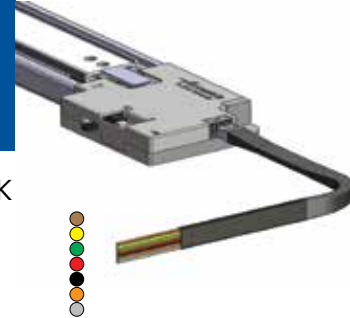


ACTIVATION EXAMPLES

38EL ELECTRONIC LOCKING SLIDE • 10EL ELECTRONIC LOCK

Accuride Electronic Lock products can be integrated into existing systems and are compatible with several third-party activation devices. Below are sample schematic diagrams for a sampling of devices tested for compatibility. The devices shown are for example only and do not represent a specific product endorsement.

- Southco EA-K1 Keypad
- Enforcer PR-112S-A Card Reader
- Visonic CL-8A Keypad
- RCI 9212i Keypad

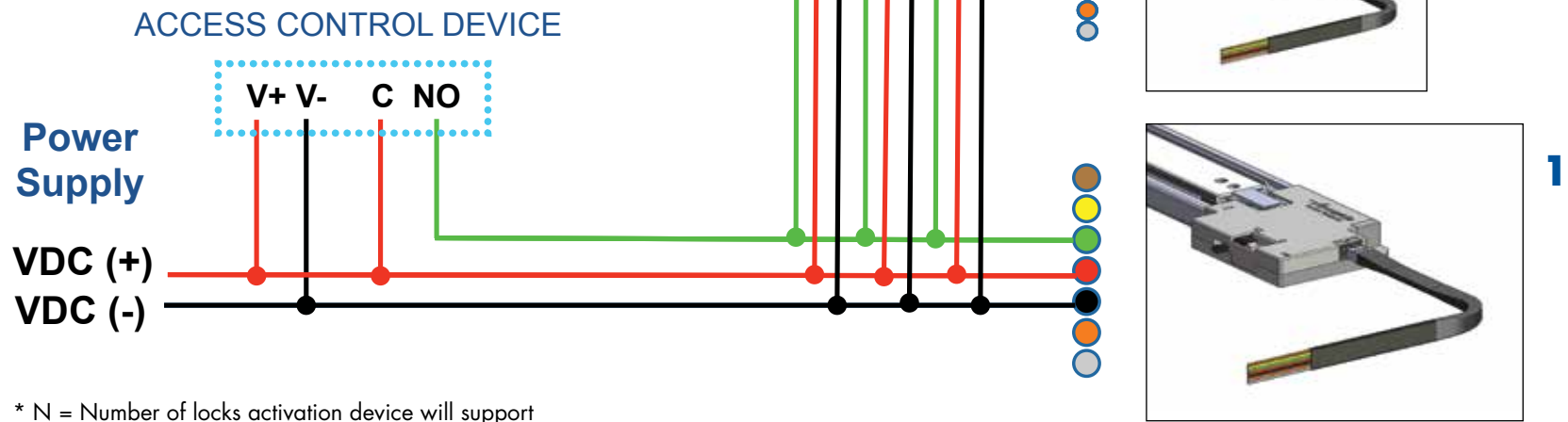


To configure these devices for multiple locks, please see the next page. ▶

MULTIPLE LOCK ACTIVATION

It is possible to connect multiple locks to your activation device. Be sure to review the relay output amperage rating for your activation device to determine the maximum number of locks the device will accommodate.

Accuride Electronic Locks require 100mA per lock.
(Example: 10 locks will require $10 \times 100\text{mA} = 1.0 \text{ amp}$)



* N = Number of locks activation device will support