

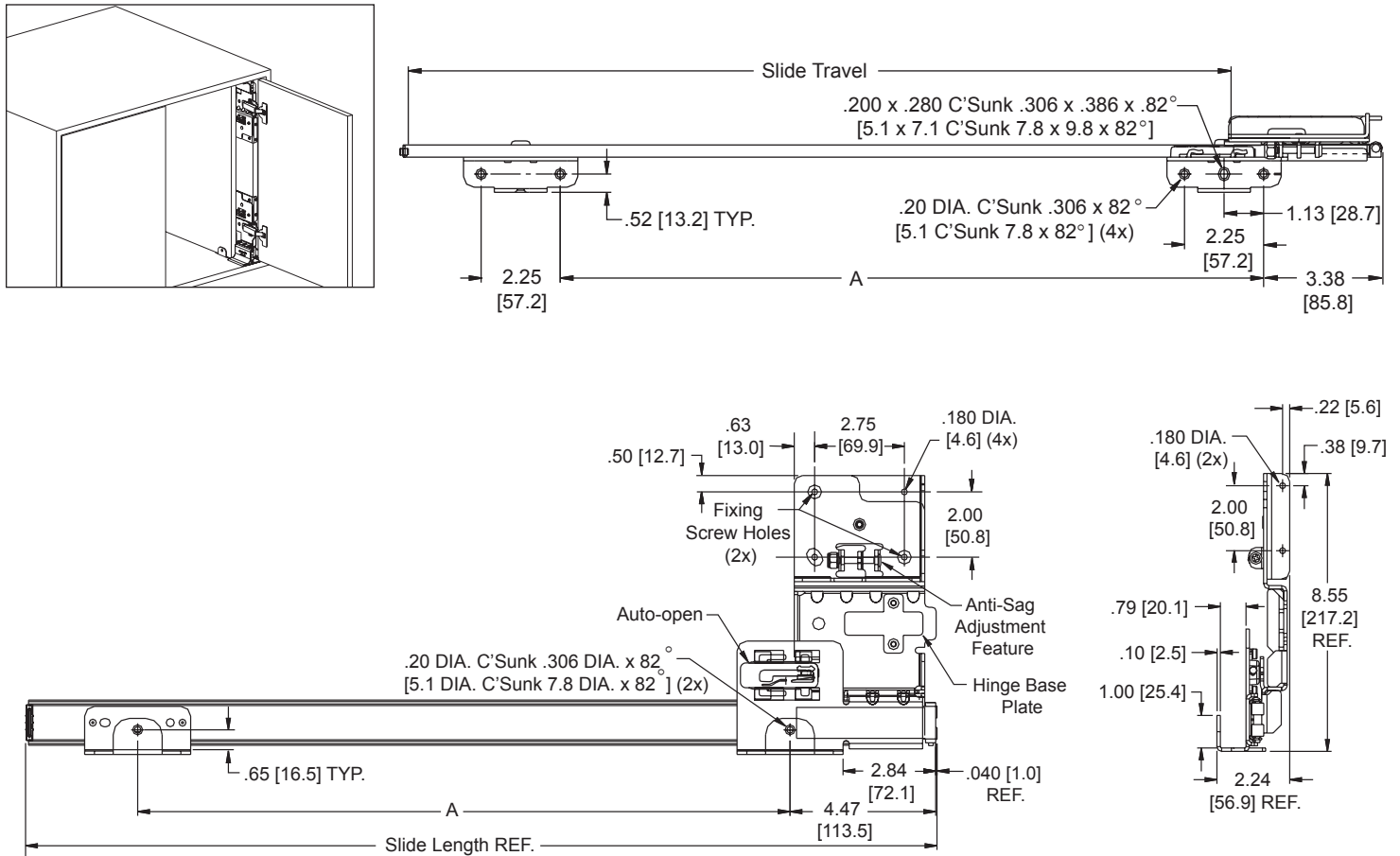


MODEL 1321

Pro Pocket Flipper Door Slide®

APPLICATIONS: Vertical and horizontal pocket doors on entertainment centers, wall units, and cabinets in residential and commercial applications. **This product is covered by U.S. and various foreign patents issued and/or pending.**

Full 3/4" [19.1 mm] Overlay
Reduced Door Face Scarring
Up to 30 lbs. [13.6 kg.]*



Inches
[mm]

Finish	Black electroplate (CB) finish only
Door Sizes	3/4" – 1½" thick [19 mm – 38.1 mm thick] Vertical doors 42" high by 24" wide [1067 mm by 610 mm]
Length	12" – 28" [303 mm – 710 mm]
Travel	See chart
Load Rating	Up to 30 lbs. [13.6 kg.]*
Features	Auto-open, anti-sag adjustment feature

Part Number	Slide Length	Slide Travel	A
CB1321-12	11.94 [303]	7.40 [188]	4.00 [101.6]
CB1321-14	13.94 [354]	9.40 [239]	6.00 [152.4]
CB1321-16	15.94 [405]	11.40 [290]	8.00 [203.2]
CB1321-18	17.94 [456]	13.40 [340]	10.00 [254.0]
CB1321-20	19.94 [506]	15.40 [391]	12.00 [304.8]
CB1321-22	21.94 [557]	17.40 [442]	14.00 [355.6]
CB1321-24	23.94 [608]	19.40 [493]	16.00 [406.2]
CB1321-26	25.94 [659]	21.40 [544]	18.00 [457.2]
CB1321-28	27.94 [710]	23.40 [594]	20.00 [508.0]

* Load rating based on 20,000 cycles.

NOTES TO CABINET MAKER:

1. **MINIMUM DOOR STILE WIDTH IS 2½".**
2. This hardware mounts to the top and bottom cabinet components rather than the side panels. For face frame applications, the cabinet top and bottom must be flush to the face frame opening. If the cabinet top is recessed, install blocking to provide a flush mounting surface at least 3" into the opening on each side.
3. The maximum height of the door should be ¼" less than the opening to provide at least 1/16" clearance for the 1/16" thick skid plate.

INSTALL SLIDES

1. Install skid block tight against inside corner of cabinet with #6 X 3/4" flat-head screws. See Figure 1.

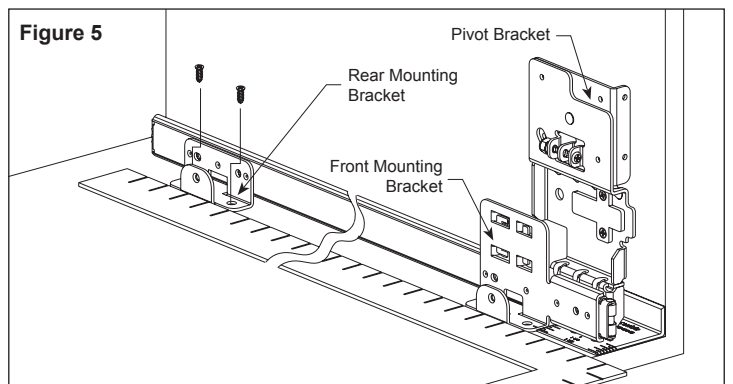
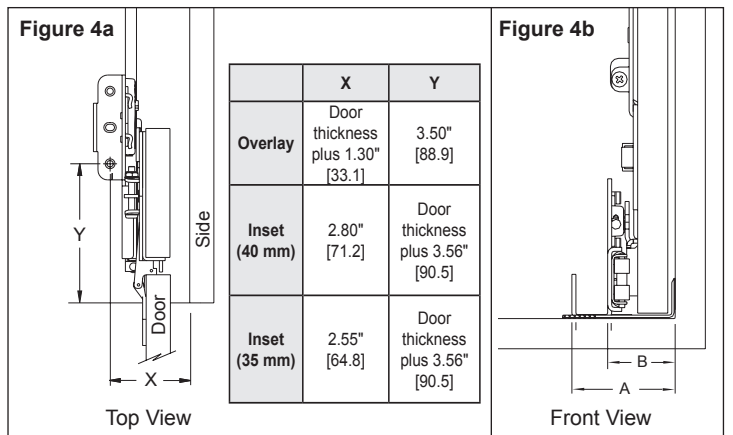
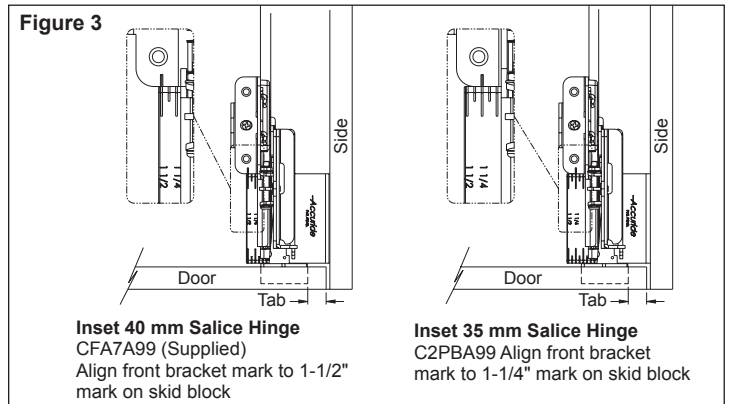
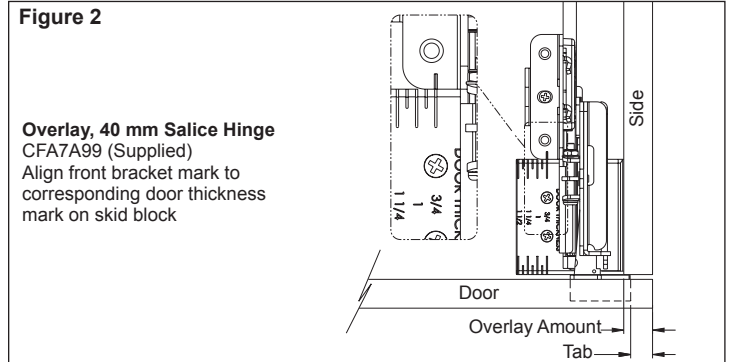
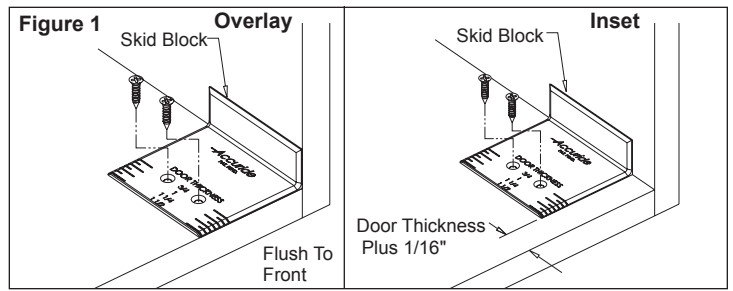
NOTE: For overlay doors, place skid block flush to the front edge.
For inset doors, place skid block back the door thickness + 1/16" from the front edge.
2. Place the bottom slide just behind the lower skid block. See table below and Figures 2 & 3 to determine slide location from cabinet side. Secure with one each #6 X 3/4" flat head screw through horizontal adjustment slot.

Application	Door Thickness	Tab	Maximum Overlay Amount	Skid Block Set Back	Slide Location From Cabinet Side
Overlay 40 mm Salice Hinge CFA7A99 (Supplied)	3/4" [19.1]	1/2" [12.7]	3/4" [19.1]	Flush to Front	Align mark to door thickness or desired overlay
	7/8" [22.2]		5/8" [15.9]		
	1.0" [25.4]		1/2" [12.7]		
	1¼" [31.8]		1/4" [6.4]		
Inset 40 mm Salice Hinge CFA7A99 (Supplied)	3/4"–1 ½" [19.1–38.1]	3/8" [9.5]	Inset	Door Thickness Plus 1/16" [1.6]	Use 1½" mark
Inset 35 mm Salice Hinge C2PBA99	3/4"–1.0" [19.1–25.4]	5/16" [8.0]	Inset	Door Thickness Plus 1/16" [1.6]	Use 1¼" mark

3. If the skid block is not used to locate the slide position, Figure 4a shows the location of the front mounting hole (X and Y) for various door thicknesses.
4. Chart below lists the pocket width dimensions to clear the moving slide members for various door thicknesses. See Figure 4b.

Application	Door Thickness	Pocket Width "A"	Pocket Width "B"
Overlay	3/4" [19.1]	2.570" [65.3]	1.680" [42.7]
	7/8" [22.2]	2.695" [68.4]	1.805" [45.8]
	1" [25.4]	2.820" [71.6]	1.930" [49.0]
	1¼" [31.8]	3.070" [78.0]	2.180" [55.4]
Inset (40 mm)	3/4"–1½" [19.1–38.1]	3.320" [84.3]	2.430" [61.7]
Inset (35 mm)	3/4"–1.00" [19.1–25.4]	3.070" [78.0]	2.180" [55.4]

5. Square the mounting brackets to the front of the cabinet and secure the rear bracket with 2 each #6 X 3/4" flat head screws. (See Figure 5)
6. Repeat steps 2 and 3 for the top slide.



INSTALL FOLLOWER

1. To calculate the follower length, take the interior opening height and subtract 11" [279 mm].
2. Cut the 3/4" [19.1 mm] thick follower (oak or hard maple recommended) 4" [102 mm] wide by the follower length.
3. Place the follower between the top and bottom slides, on top of the pivot bracket flange.
4. Secure the follower **through the pivot bracket only**. Do not install screws through the fixing screw locations at this time.

NOTE: Hold follower tight against the pivot bracket in all directions before securing. See Figure 6.

IMPORTANT: Install screws in pivot bracket holes only. **Do not** install screws into fixing screw holes.

INSTALL DOOR

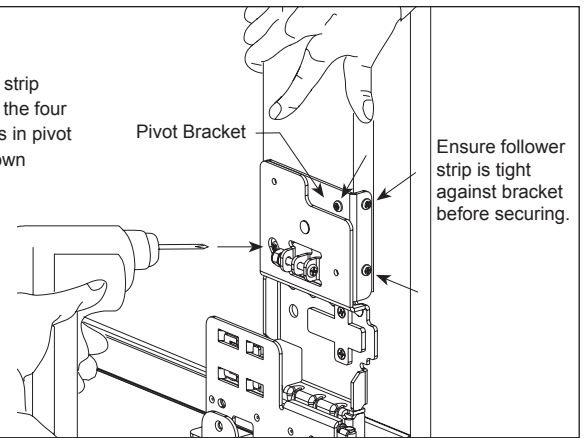
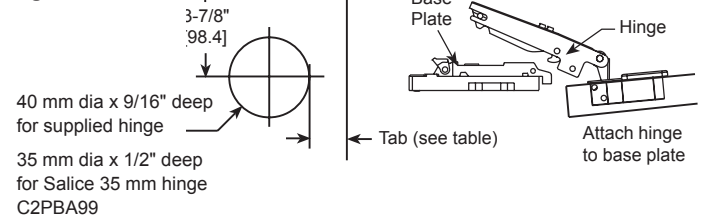
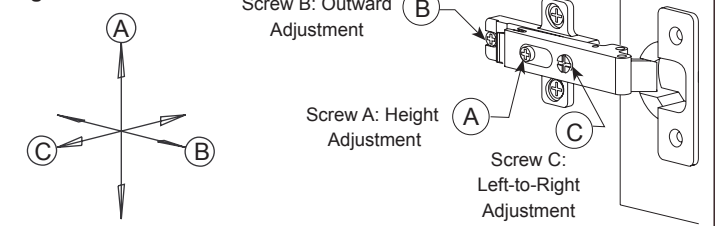
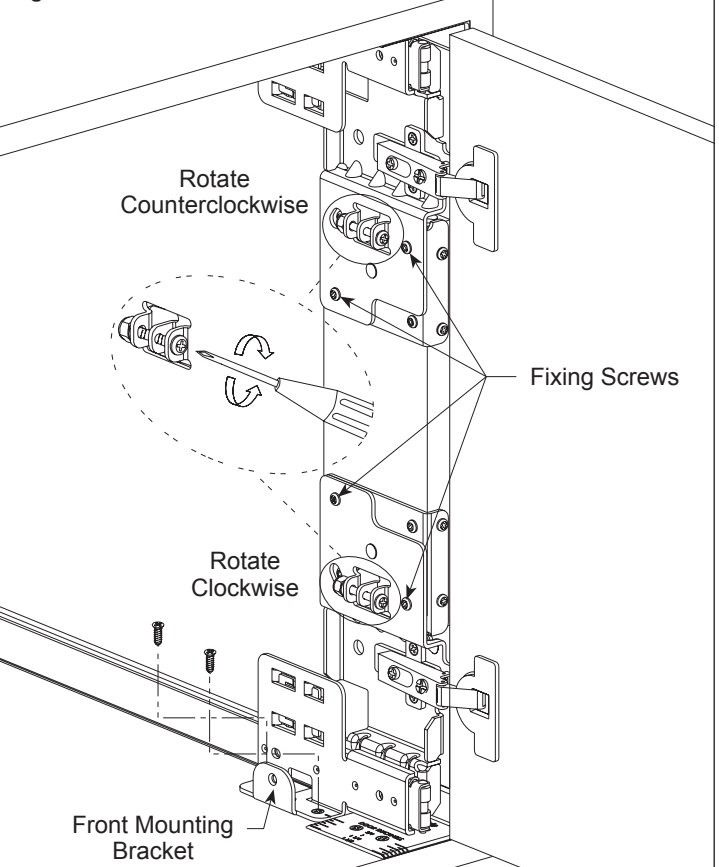
1. Bore hinge cup holes in door as shown in Figure 7. Install hinges with hinge arms perpendicular to the edge of the door.
2. With slide in the extended (forward) position, clip hinges onto hinge base plates. See Figure 7.

MAKE ALL ADJUSTMENTS

1. With the door fully extended, visually inspect the gaps between the door and the top and bottom skid blocks. Adjust the hinges (adjustment screw A) until the door is centered between the skid blocks. See Figure 8.
2. Push the door all the way back. The front of the door should be centered equally between both skid blocks.
3. To adjust for sag, pull the door forward completely and lift the front of the door a small amount (the top slide will retract slightly). Rotate the bottom follower adjustment screw clockwise and the top follower screw counterclockwise in equal amounts. Start with just a couple of rotations of each. Do not over-adjust. Follow step 2 to re-check the door sag. Re-adjust as required.
4. After follower is adjusted, secure through the remaining fixing screw locations with #8 x 5/8" pan head screws.
5. Extend the door, and check to see that the door pivots to the closed position without interfering with the cabinet. Adjust the hinge outward (adjustment screw B) to ensure swing clearance. See Figure 8.
6. Adjust the hinge left-to-right (adjustment screw C) to square the door to the opening. See Figure 8. If more adjustment is required, loosen the front mounting bracket screw and move the slide left or right.
7. After all hinge adjustments are made, secure front mounting brackets through remaining holes with #6 x 3/4" flat head screws.

Figure 6

Install follower strip through **ONLY** the four mounting holes in pivot bracket as shown

**Figure 7****Figure 8****Figure 9**

INSTALL PARTITION AND COVER CAPS

NOTE: The partition can either be set back 3" to expose the adjustment features of the slide (See Figure 10), or brought to the front of the cabinet to hide the hardware.

1. Cut the partition to size. Refer to the notes below to determine partition dimensions.

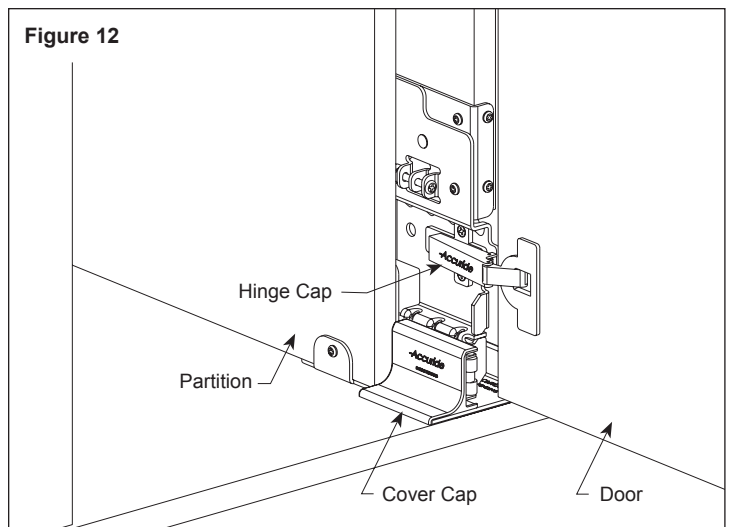
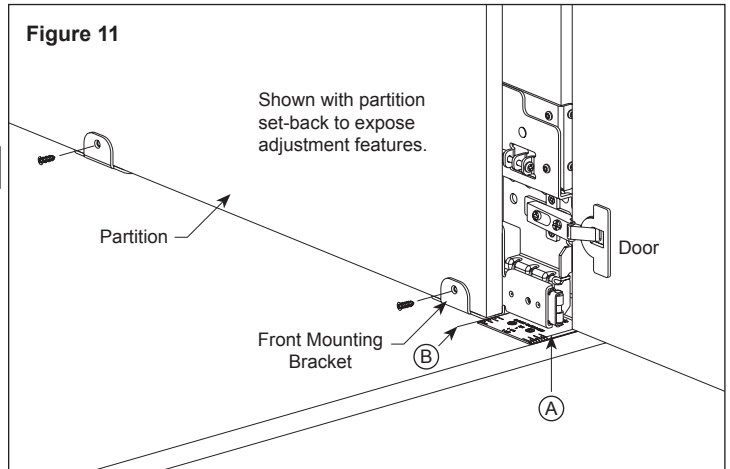
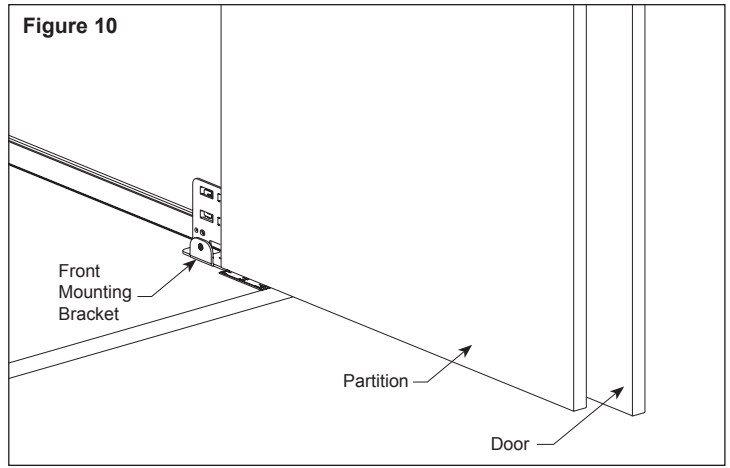
FULL-DEPTH PARTITION

Measure the partition depth from the inside face of the back panel to the front edge (Figure 11-A) of the front mounting bracket. The partition height is 1/4" less than the cabinet opening height.

SET-BACK PARTITION

Measure the partition depth from the inside face of the back panel to the back edge (Figure 11-B) of the skid block. The partition height is 1/4" less than the cabinet opening height.

2. Slide the partition into the mounting brackets and insert it.



Slide Ordering Instructions

Complete your order for Accuride Model 1321 Pro Pocket slide by specifying the following:

	10	Each	CB	1321	-18	D
Total Required Slides	_____	_____	_____	_____	_____	_____
Black Finish	_____	_____	_____	_____	_____	_____
Slide Model	_____	_____	_____	_____	_____	_____
Slide Length	_____	_____	_____	_____	_____	_____
Polybag Packaging	_____	_____	_____	_____	_____	_____

Packaging Information

Distributor (D) Pack: All slide lengths are packaged 4 pair per box in individual polybags. Polybag includes two slides with attached hinge base plates, two 40 mm clip-on hinges, skid blocks and cover, mounting screws, and installation instructions.

Bulk Packaging: All slide lengths are packaged 10 each per box and include skid blocks, cover caps, and mounting screws. Left and right hand slides are packed in separate boxes; skid blocks, cover caps, and screws packed in separate box. Hinges and base plates ordered separately.

Optional Hinge Assembly

For bulk orders, 40 mm hinge assemblies are purchased separately. Order hinge assembly part number 4180-0525-XE. Each box includes 20 base plates, 20-40 mm clip-on hinges, and 40 hinge plate screws. Order 1 box per box of bulk packed slides.

Specifications

Slide members and ball retainers: Cold rolled steel
Ball bearings: Carburized steel

NOTE: Specifications, materials, prices, terms and delivery are subject to change without notice.



Accuride International Inc.

12311 Shoemaker Avenue
Santa Fe Springs, CA 90670
TEL (562) 903-0200
FAX (562) 903-0208

Manufacturing, Engineering, and Sales
United States • Germany • Japan •
Mexico • United Kingdom • China

For the most current technical information visit www.accuride.com

⚠ WARNING: This product can expose you to chemicals including nickel, which is known to the State of California to cause cancer and birth defects or other reproductive harm. For more information go to www.P65Warnings.ca.gov.