

ECLIPSE

MODEL 3135EC EASY-CLOSE

QUICK START GUIDE

DRAWER PREPARATION

FORMULA FOR CALCULATING DRAWER BOX LENGTH

Slide length = Outside drawer box length
(Example: If slide length = 16", the outside length of the drawer box = 16")

FORMULA FOR CALCULATING DRAWER BOX HEIGHT

Maximum drawer height = cabinet height minus 13/16"

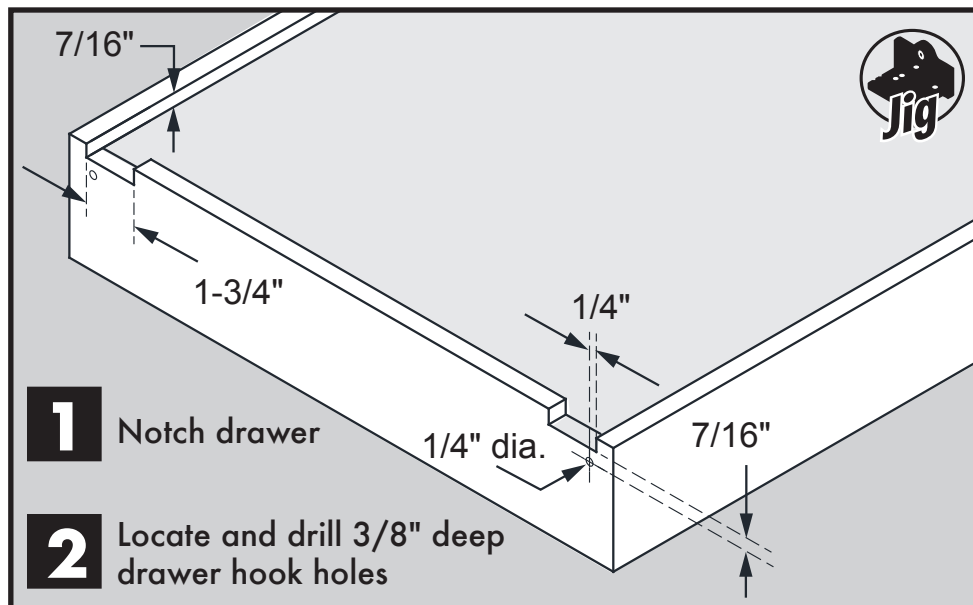
Drawer Box Length tolerance +0/-1/16"

FORMULA FOR CALCULATING DRAWER BOX WIDTH

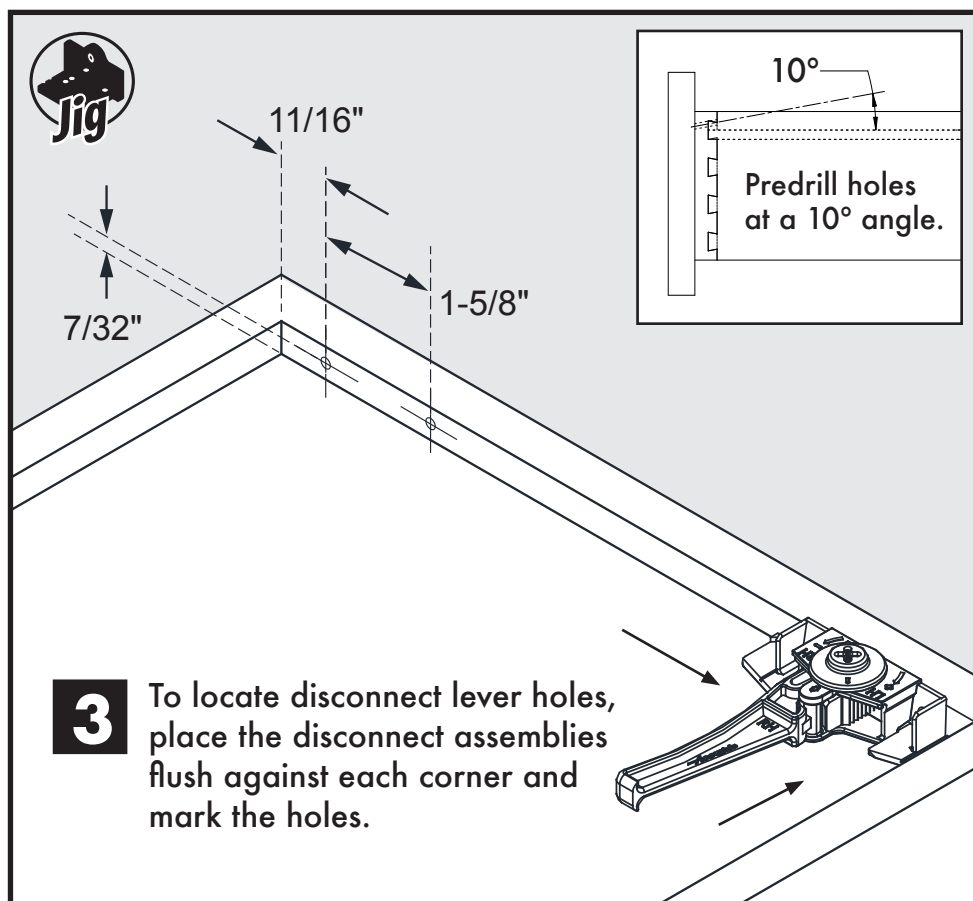
For drawer side thickness: 5/8" 16mm 19/32" 15mm 9/16" 14mm 1/2" 13mm

For inside drawer width, deduct from inside cabinet width: 1-3/4" 44.45mm 1-3/4" 44.45mm 1-3/4" 44.45mm 1-3/4" 44.45mm

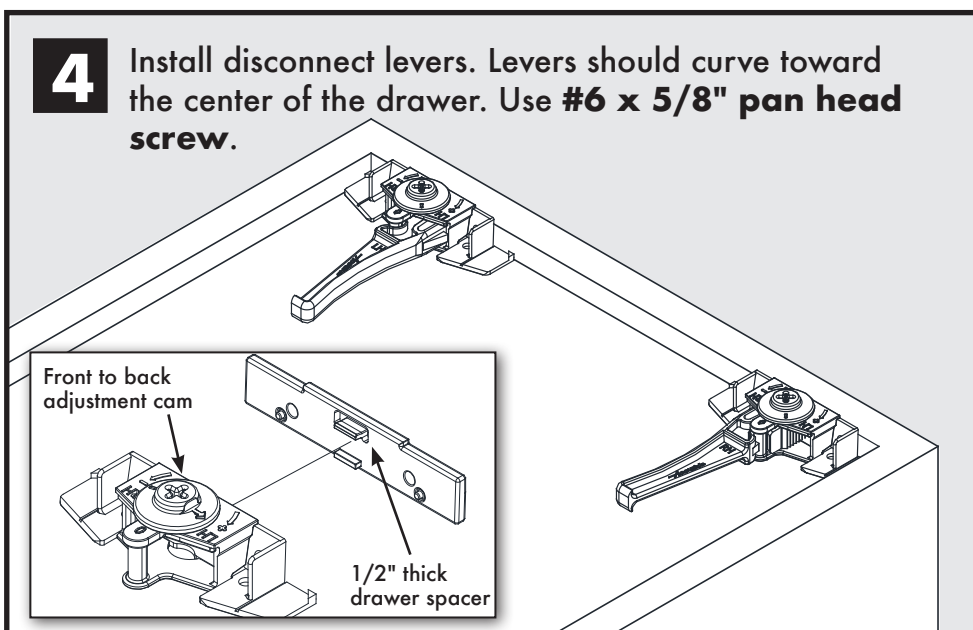
For outside drawer width, deduct from inside cabinet width: 1/2" 13mm 9/16" 15mm 5/8" 17mm 3/4" 19mm



- 1 Notch drawer
- 2 Locate and drill 3/8" deep drawer hook holes

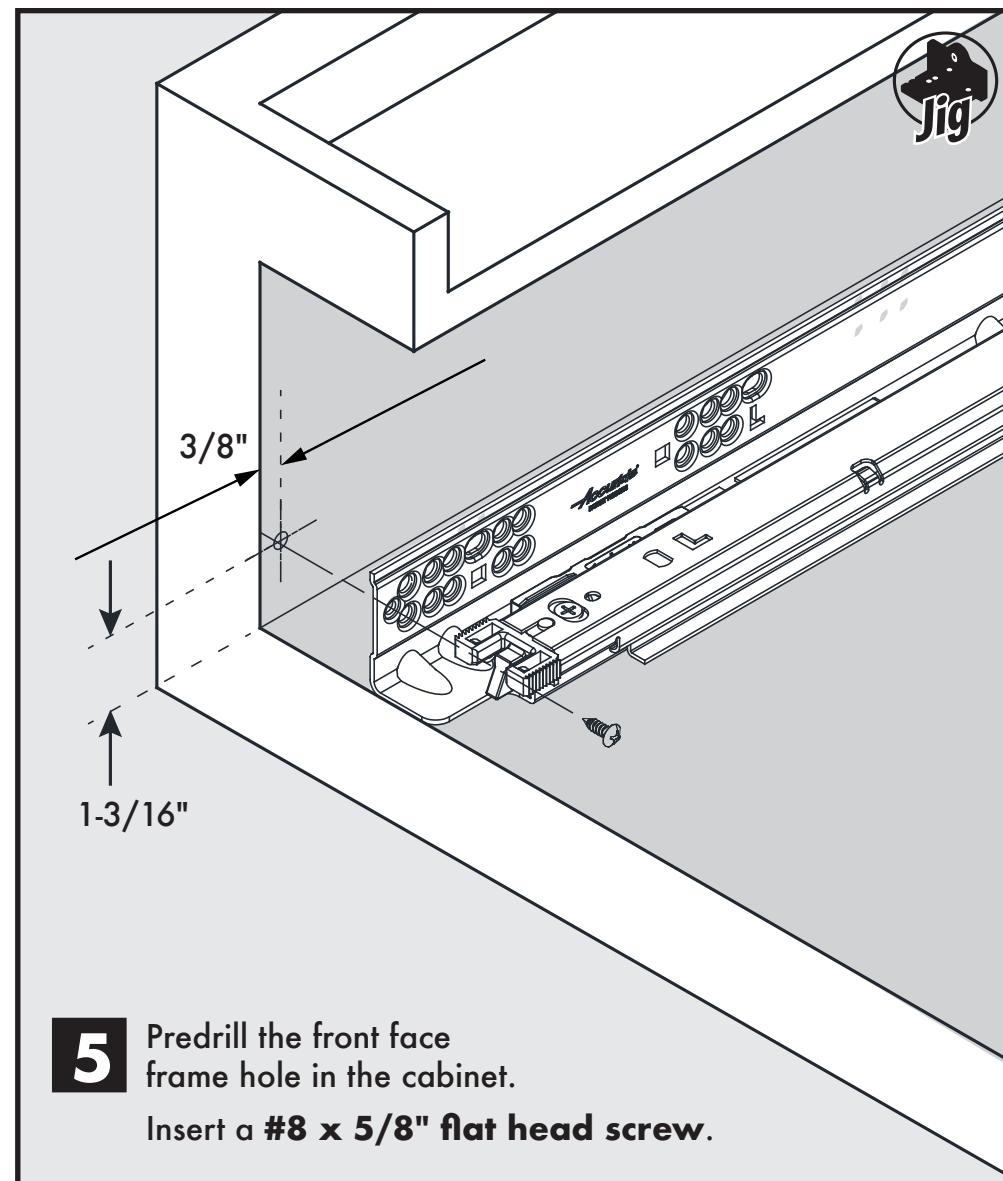


- 3 To locate disconnect lever holes, place the disconnect assemblies flush against each corner and mark the holes.

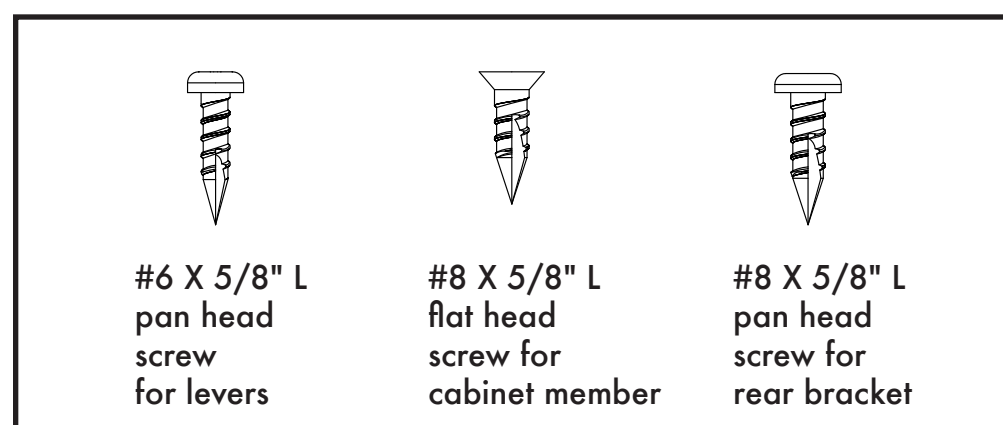
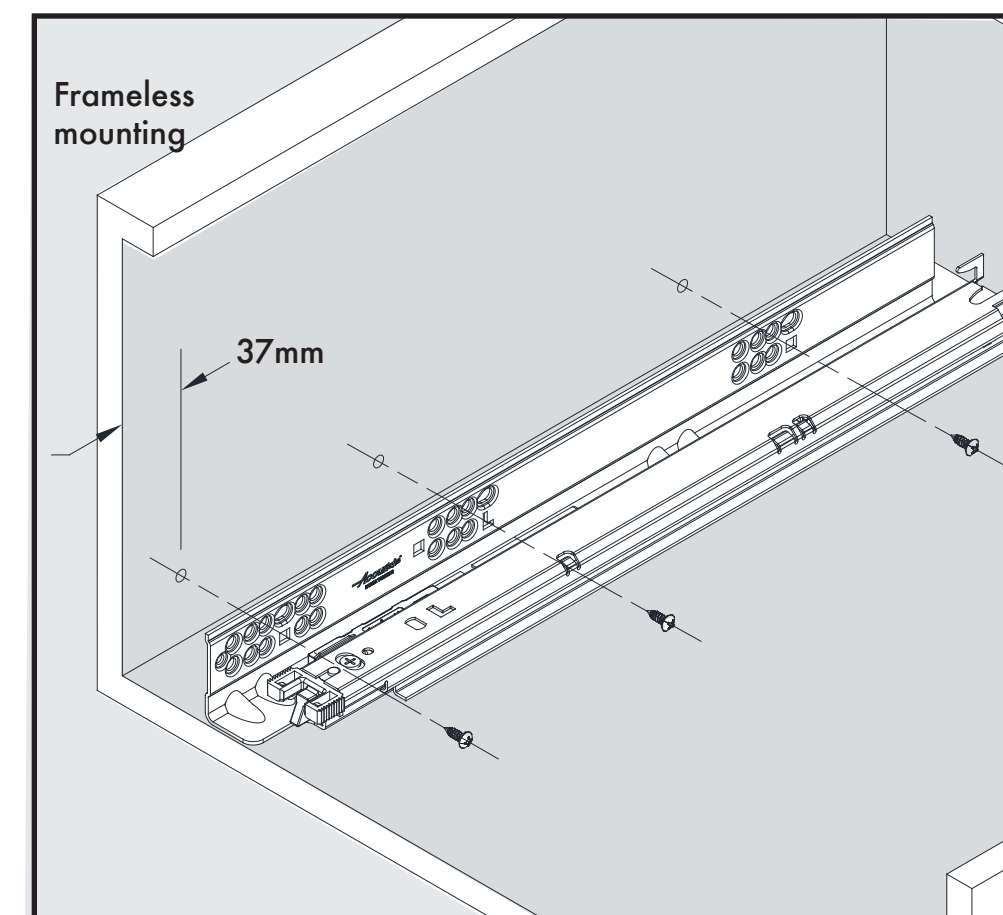


- 4 Install disconnect levers. Levers should curve toward the center of the drawer. Use #6 x 5/8" pan head screw.

CABINET MEMBER



- 5 Predrill the front face frame hole in the cabinet. Insert a #8 x 5/8" flat head screw.

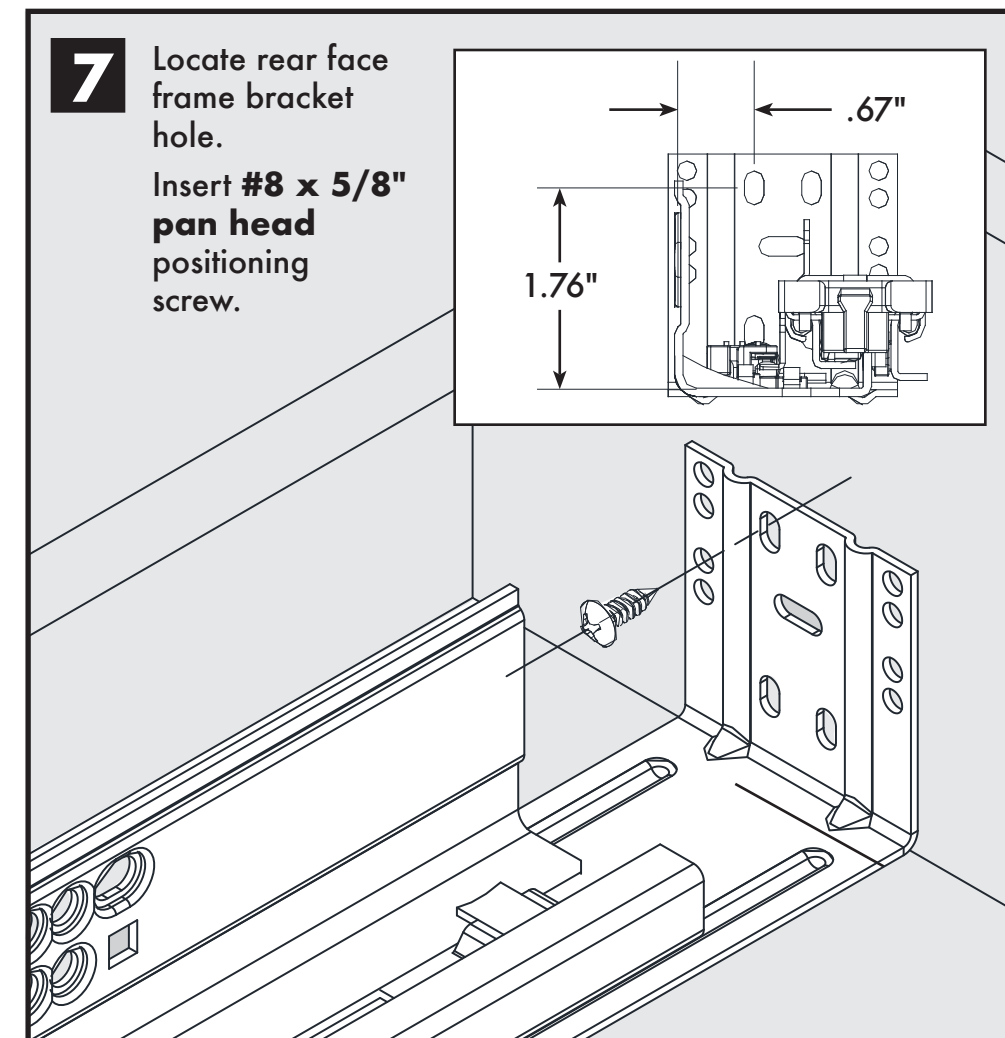
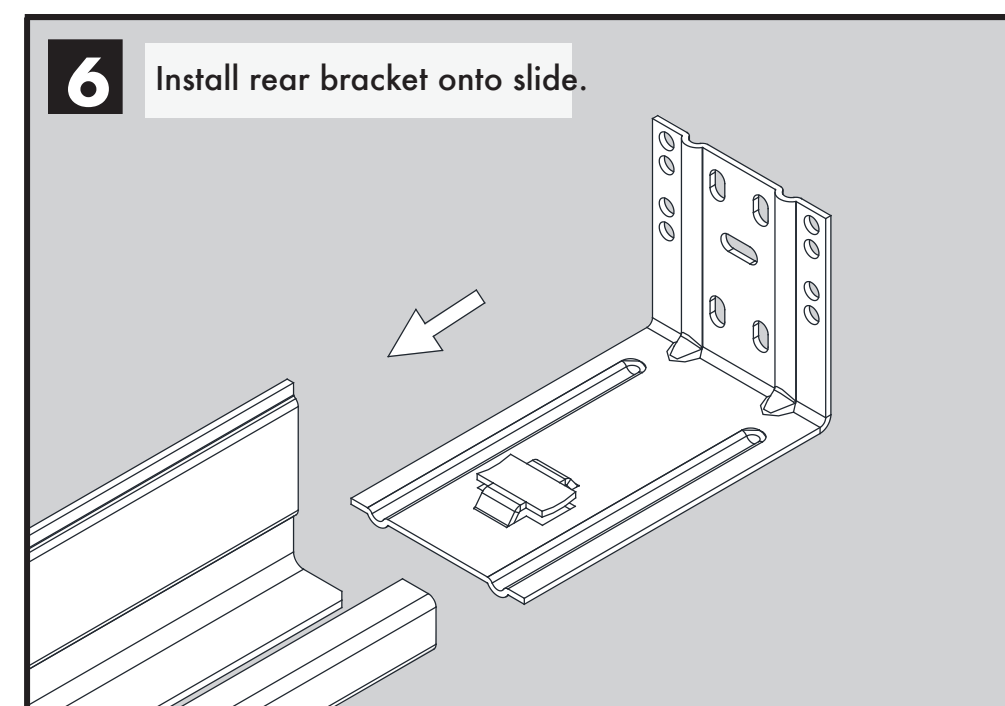


#6 X 5/8" L pan head screw for levers

#8 X 5/8" L flat head screw for cabinet member

#8 X 5/8" L pan head screw for rear bracket

REAR FACE FRAME BRACKET



- 7 Locate rear face frame bracket hole. Insert #8 x 5/8" pan head positioning screw.

OPTIONAL KITS:

Drilling Jig
PN 4180-0568-XE

Slotted Rear Face Frame Bracket
PN 4180-0656-XE

Bottom Mount Bracket
PN 4180-0569-XE

Inset Face Frame Bracket
PN 4180-0604-XE

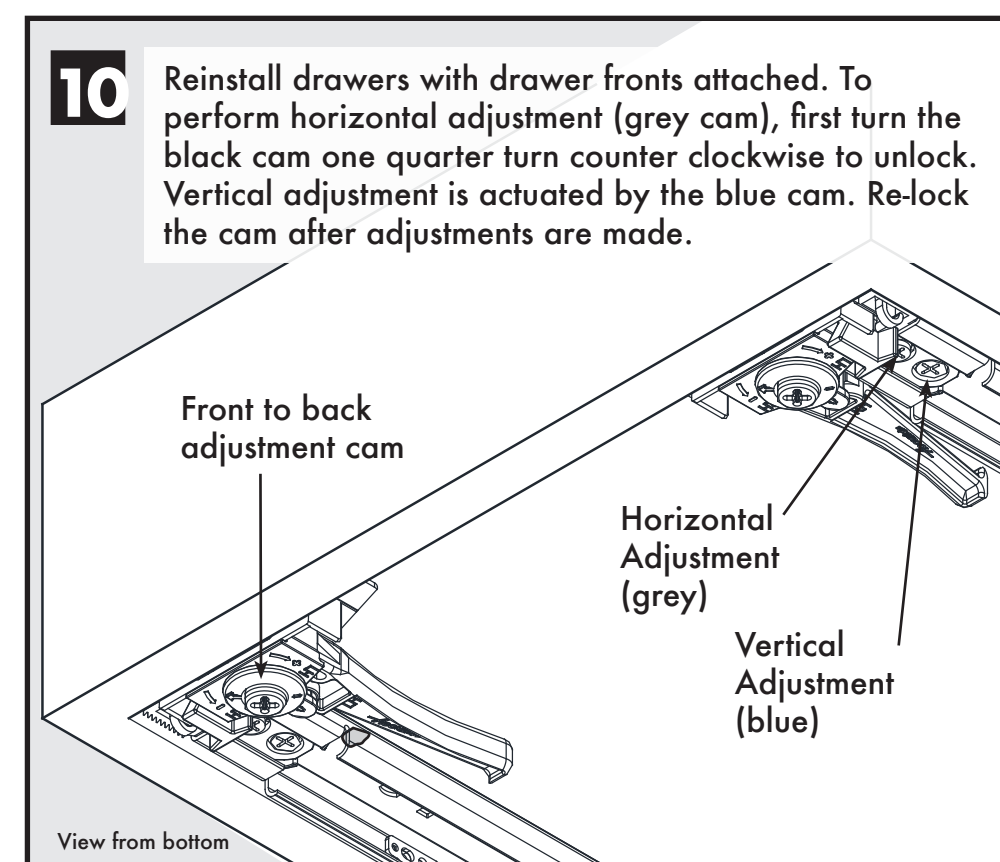
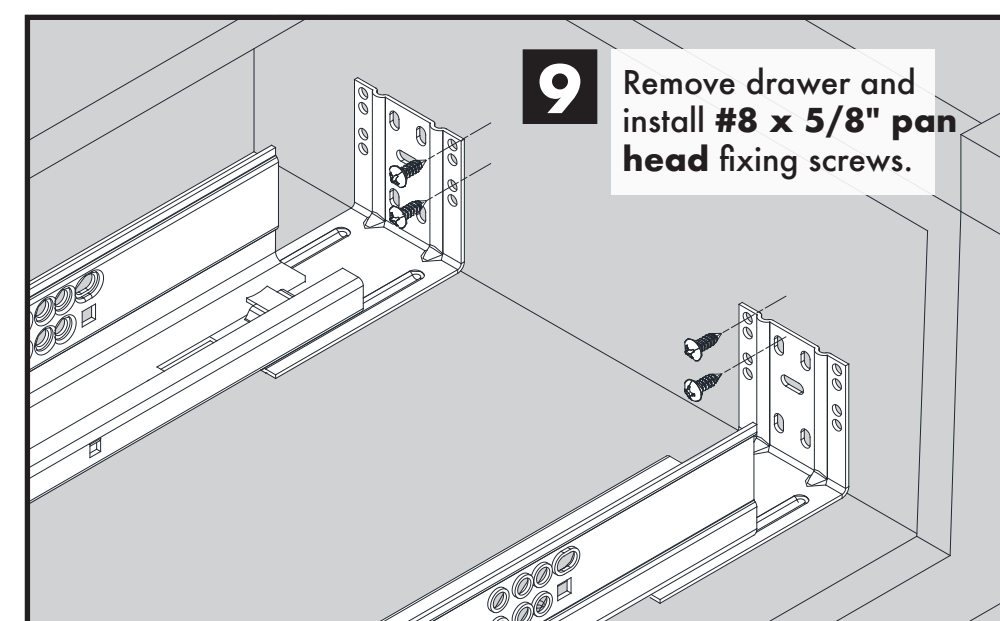
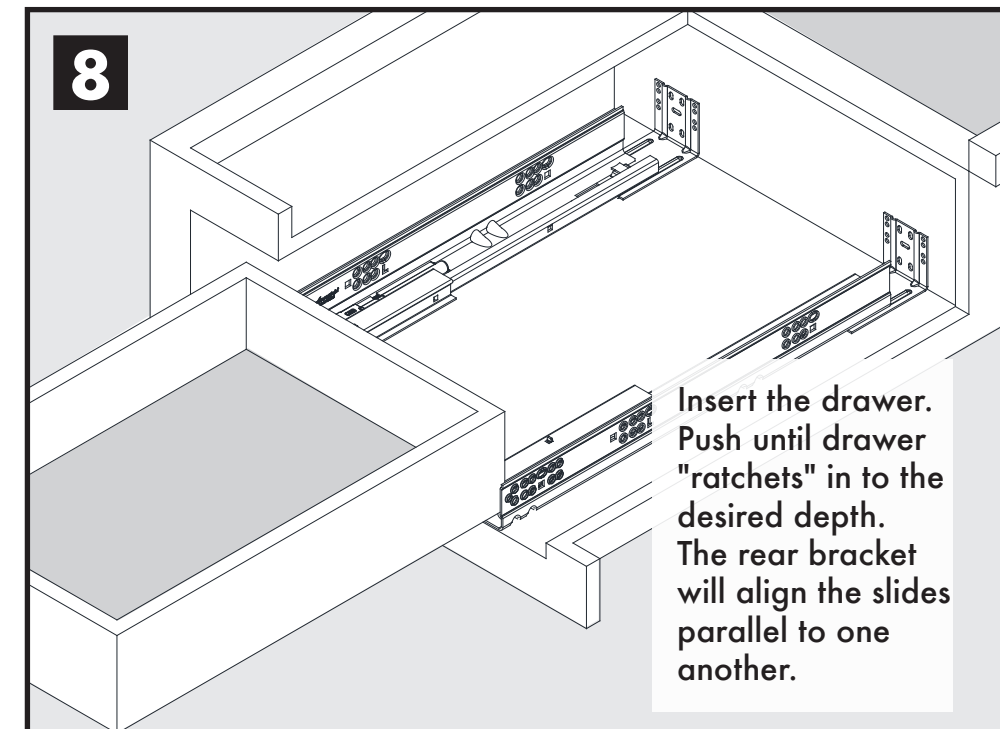
Bottom Inset Face Frame Bracket
PN 4180-0605-XE

Vertical Mount Disconnect
PN 4180-0747-XE

Tool Kit
PN 4180-0603-XE

For more detailed installation information, see product technical sheet.

DRAWER INSERTION & ADJUSTMENT



NOTE: Install knobs or pulls after drawer fronts are adjusted to ensure proper alignment.

Accuride

12311 Shoemaker Avenue • Santa Fe Springs, CA 90670
(562) 903-0200

www.accuride.com