

Accuride Linear Track Systems

115RC

For light- and medium-duty applications

116RC

For heavy-duty applications

- Simple to install
- Cost effective
- Corrosion-resistant
- ADA-compliant (116RC only - up to 396 lbs. opening and closing 1" per second.)



ACCURIDE LINEAR TRACK SYSTEMS

Accuride linear track systems use lightweight, corrosion-resistant aluminum tracks and recirculating ball carriages to guide, move, or position screens, panels, and partitions. Adaptable in many ways, you'll find our systems in industrial, commercial, medical, and institutional environments.

Common Features & Benefits

• Multiple mounting methods

The track may be side, flat, or vertically mounted.

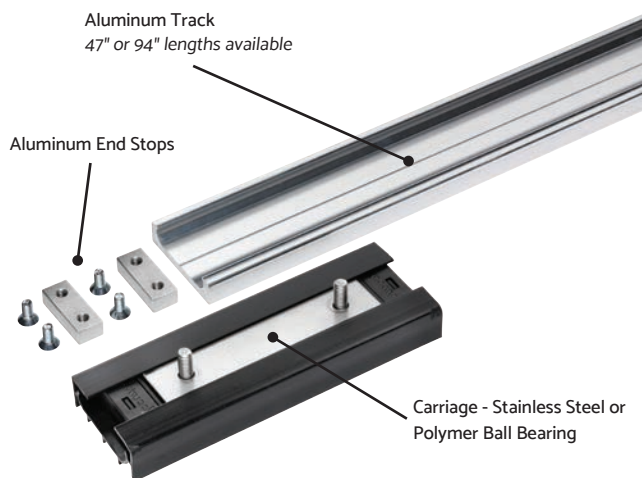
- When flat mounted, track may be oriented with the ball carriage facing up or down.
- Vertical mounting is for non-load bearing applications.

• Two re-circulating ball carriage options

- Stainless steel ball bearings: provides the greatest load capacity.
- Polymer ball bearings: grease-free with smooth and quiet movement.

• Multiple carriages may be inserted into tracks

- Carriages may be used separately to provide independent movement, combined as a unit, or both methods within one track.



115RC

For light- and medium-duty applications

• Aluminum track available in two lengths: 47" and 94"

- Corrosion-resistant track may be cut to the desired length. Available with or without pre-drilled holes.
- Multiple lengths of track can be butted together to extend the track to any distance required.

• Load Capacity up to 265 lbs. [120kg]

• Easy Installation

Tracks have drilling marks for fixing holes and end stops.

- End stops are attached after the carriages are inserted to contain carriages.
- Tracks with and without fixing holes

Components

Tracks and carriages are priced and sold singly.

ALO115-012ORCH.....47"Aluminum Track (x1) with Pre-Drilled holes

ALO115-024ORCH.....94"Aluminum Track (x1) with Pre-Drilled holes

ALO115-012ORC.....47"Aluminum Track (x1) without Pre-Drilled holes

ALO115-024ORC.....94"Aluminum Track (x1) without Pre-Drilled holes

SSO115-CASSRC.....Carriage - Stainless Steel Balls (x1)

CBO115-CASSRC.....Carriage - Polymer Balls (x1)

ALO115-STOPRC.....Aluminum End Stop (1 stop + 2 screws)

115RC Optional Accessories

DZO115-DJIGRC.....Drilling Jig (made to order)

CBO115-ECRC.....Easy-Close Kit

4180-0757-XE.....Nuts and Washers for Individual Carriages

- 2 ea. M5 x 16mm Barrel nuts
- 2 ea. Star washers

<p>Side mount</p>	SSO115-CASSRC Stainless Steel Ball Carriage	CBO115-CASSRC Polymer Ball Carriage
	X1 - 110 lbs.	X1 - 65 lbs.
	X2 - 200 lbs.	X2 - 120 lbs.
	X3 - 265 lbs.	X3 - 160 lbs.
<p>Flat mount carriage up</p>	SSO115-CASSRC Stainless Steel Ball Carriage	CBO115-CASSRC Polymer Ball Carriage
	X1 - 65 lbs.	X1 - 40 lbs.
	X2 - 120 lbs.	X2 - 70 lbs.
	X3 - 155 lbs.	X3 - 90 lbs.
<p>Flat mount carriage down</p>	SSO115-CASSRC Stainless Steel Ball Carriage	CBO115-CASSRC Polymer Ball Carriage
	X1 - 90 lbs.	X1 - 50 lbs.
	X2 - 155 lbs.	X2 - 90 lbs.
	X3 - 200 lbs.	X3 - 120 lbs.

Note: Weight should be evenly distributed across the carriage(s).

115RC Optional Accessories

4180-0756-XE.....115RC Hardware Kit

with Polymer Ball Carriages

- 2 ea. CBO115-CASSRC
- 2 ea. ALO115-STOPRC
- 4 ea. M5 x 16mm Barrel nuts
- 4 ea. Star washers

4180-0746-XE.....115RC Hardware Kit

with Stainless Steel Ball Carriages

- 2 ea. SSO115-CASSRC
- 2 ea. ALO115-STOPRC
- 4 ea. M5 x 16mm Barrel nuts
- 4 ea. Star washers

ACCURIDE LINEAR TRACK SYSTEMS

116RC

For heavy-duty applications

- **Aluminum track available in two lengths: 94.5" and 141.7"**
 - Multiple lengths of track can be butted together to extend the track to any distance required.
- **Load Capacity up to 793 lbs. [360kg]**
- **Can be fitted for sliding door application**
- **ADA compliant** (up to 396 lbs. opening and closing 1" per second.)

Components

Tracks and carriages are priced and sold singly.

AL0116-024RC..... 94.5"Aluminum Track (x1)

AL0116-036RC.....141.7"Aluminum Track (x1)

SS0116-CASSRC.....Carriage - Stainless Steel Balls (x1)

CB0116-CASSRC.....Carriage - Polymer Balls (x1)

AL0116-STOPRC.....Aluminum End Stop (1 stop + 2 screws)

SS0116-BRKT01RC.....Recycling Bracket (x1)

11RC Optional Kits

CB0116-DAMP.....Damper (x1)

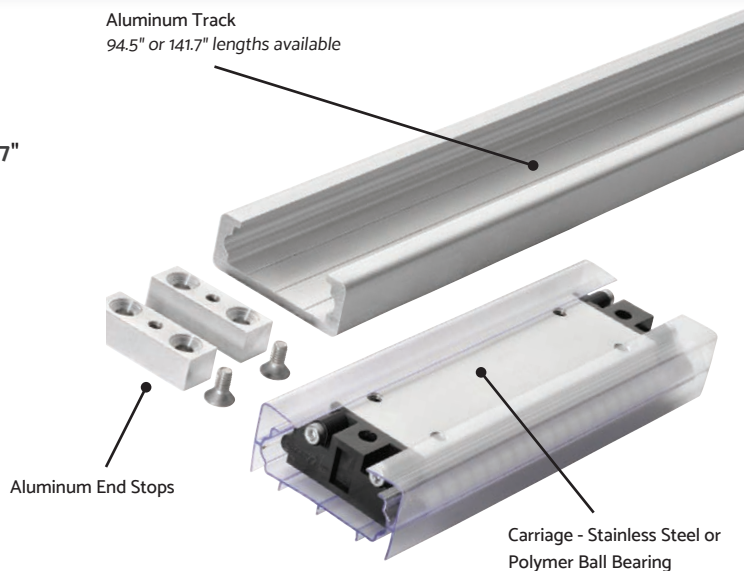
Sliding Door Hardware

AL0116-SUPPRC.....Support Beam (x1)

AL0116-FASCRC.....Fascia (x1)

AL0116-ECAPRC-2.....Fascia end caps (2 caps + 8 screws)

SS0116-BRKT-KITBracket Kit tool (x1)



<p>Side mount</p>	SS0115-CASSRC Stainless Steel Ball Carriage	CB0115-CASSRC Polymer Ball Carriage
	331 lbs. (x1)	220 lbs. (x1)
	639 lbs. (x2)	397 lbs. (x2)
	793 lbs. (x3)	529 lbs. (x3)
<p>Flat mount carriage up</p>	SS0115-CASSRC Stainless Steel Ball Carriage	CB0115-CASSRC Polymer Ball Carriage
	198 lbs. (x1)	132 lbs. (x1)
	361 lbs. (x2)	240 lbs. (x2)
	465 lbs. (x3)	309 lbs. (x3)
<p>Flat mount carriage down</p>	SS0115-CASSRC Stainless Steel Ball Carriage	CB0115-CASSRC Polymer Ball Carriage
	264 lbs. (x1)	176 lbs. (x1)
	465 lbs. (x2)	311 lbs. (x2)
	595 lbs. (x3)	396 lbs. (x3)

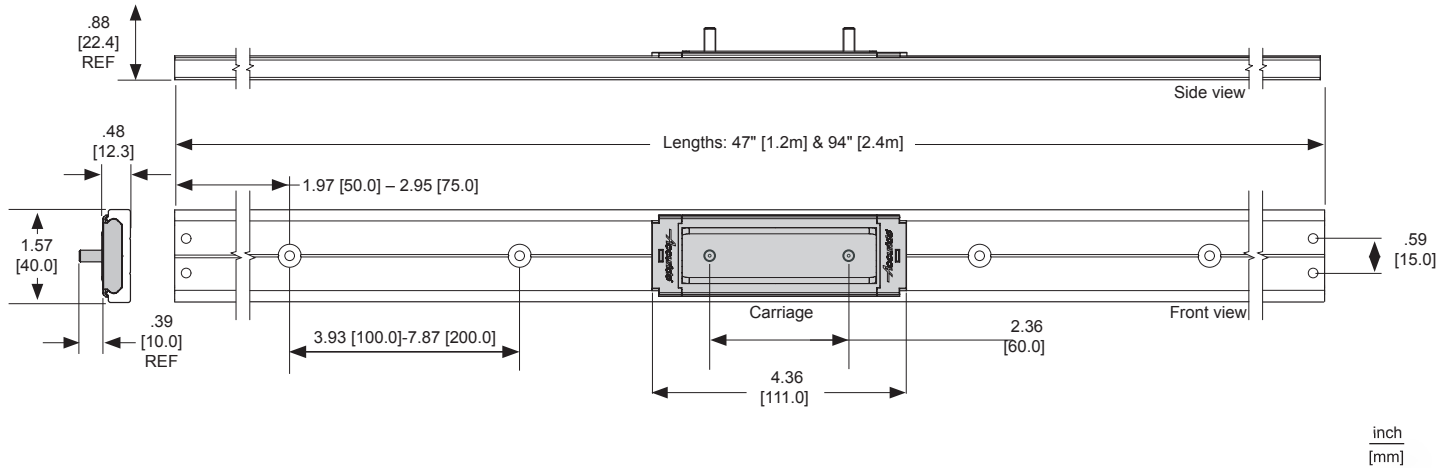
Note: Weight should be evenly distributed across the carriage(s).



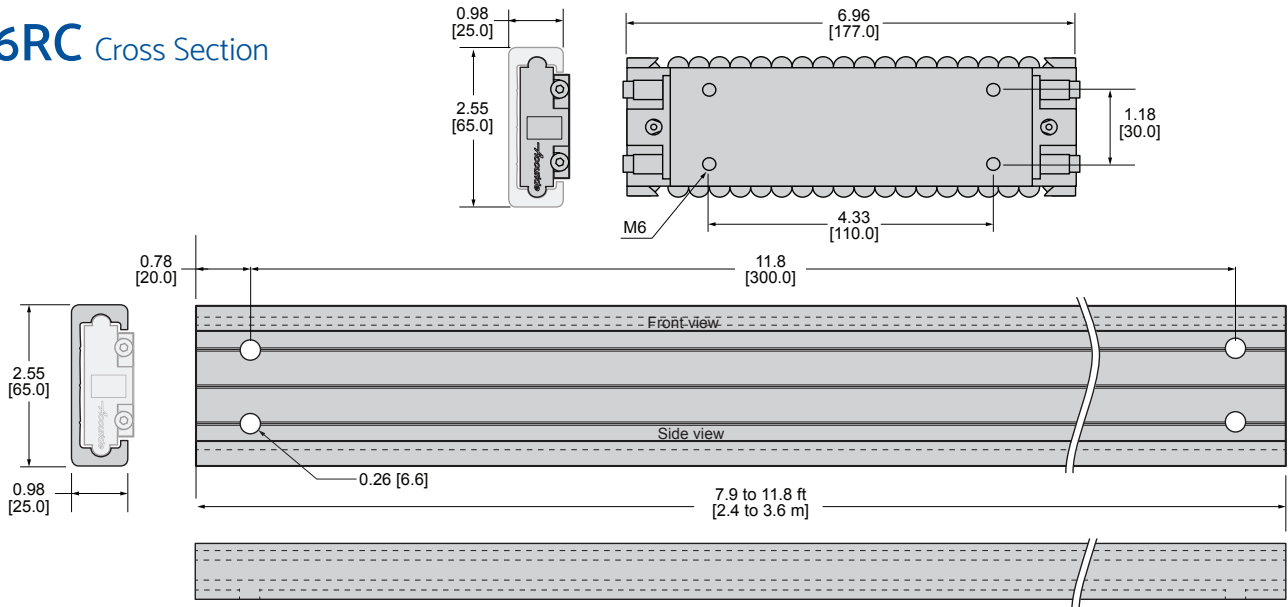
116RC with sliding door mounting kit

ACCURIDE LINEAR TRACK SYSTEMS

115RC Cross Section



116RC Cross Section



Authorized Distributor



Accuride printed materials are:
Printed with soy based inks.
Printed on paper that contains recycled materials and
conforms to the latest sustainable arboriculture guidelines.



Follow us for the latest product releases, events, and more!

Accuride

12311 Shoemaker Avenue
Santa Fe Springs, CA 90670
(562) 903-0200

(562) 903-0208 Fax

www.accuride.com

© 2020 Accuride International Inc.
115RC/116RC Dual Sell Sheet-R1-0320-400-ALA