

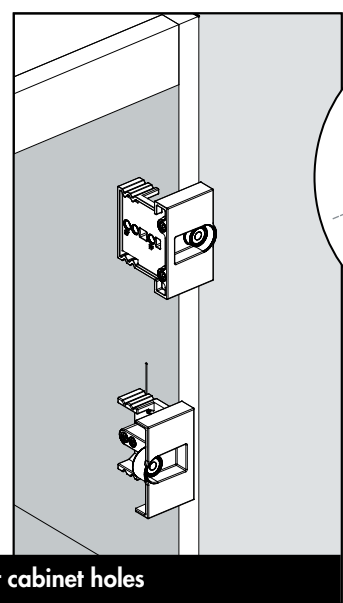
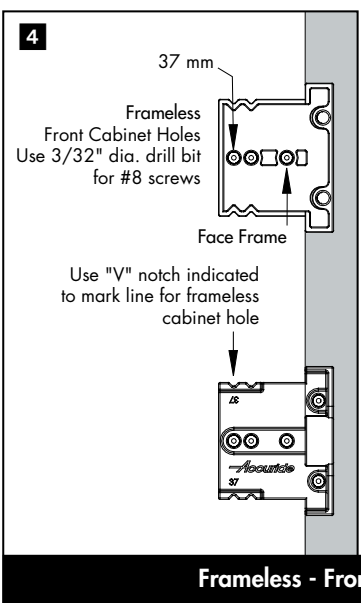
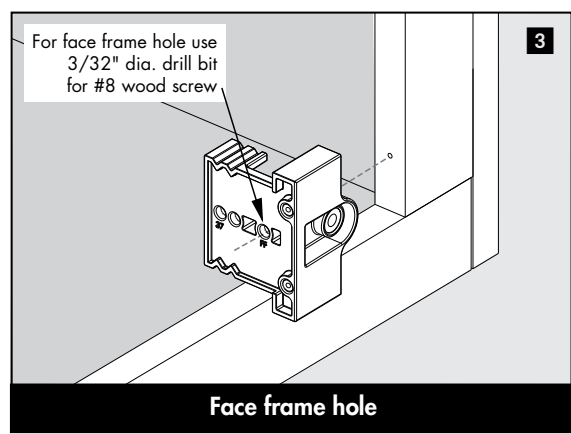
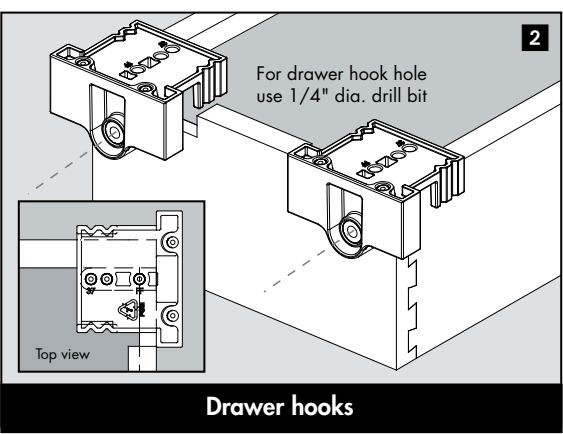
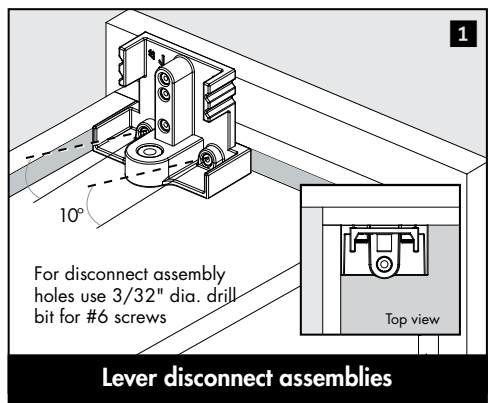
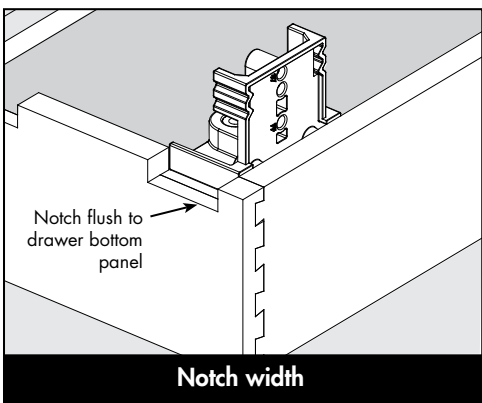
ECLIPSE

MODEL 3135EC
JIG GUIDE

Drill locations for:

- 1** Lever disconnect assemblies
- 2** Drawer hooks
- 3** Front face frame hole
- 4** Front side mount (37 mm)

Accuride recommends the use of the drill bit in the optional Accuride tool kit (PN 4180-0603-XE) to control drill depth when drilling.
For use with part number: 4180-0568-XE Drill Jig.



Accuride

www.accuride.com

General information:
562-903-0200
Tech Support:
562-903-0389